

4

3

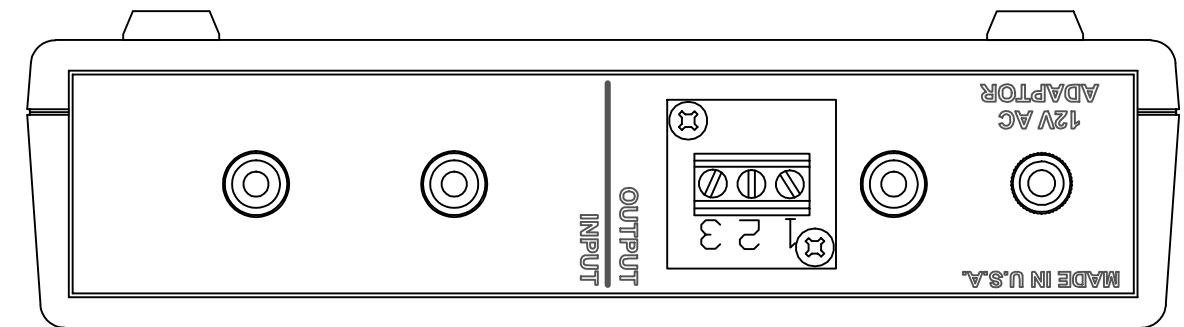
2

1

REVISIONS				
ZONE	REV	DESCRIPTION	DATE	APPROVED

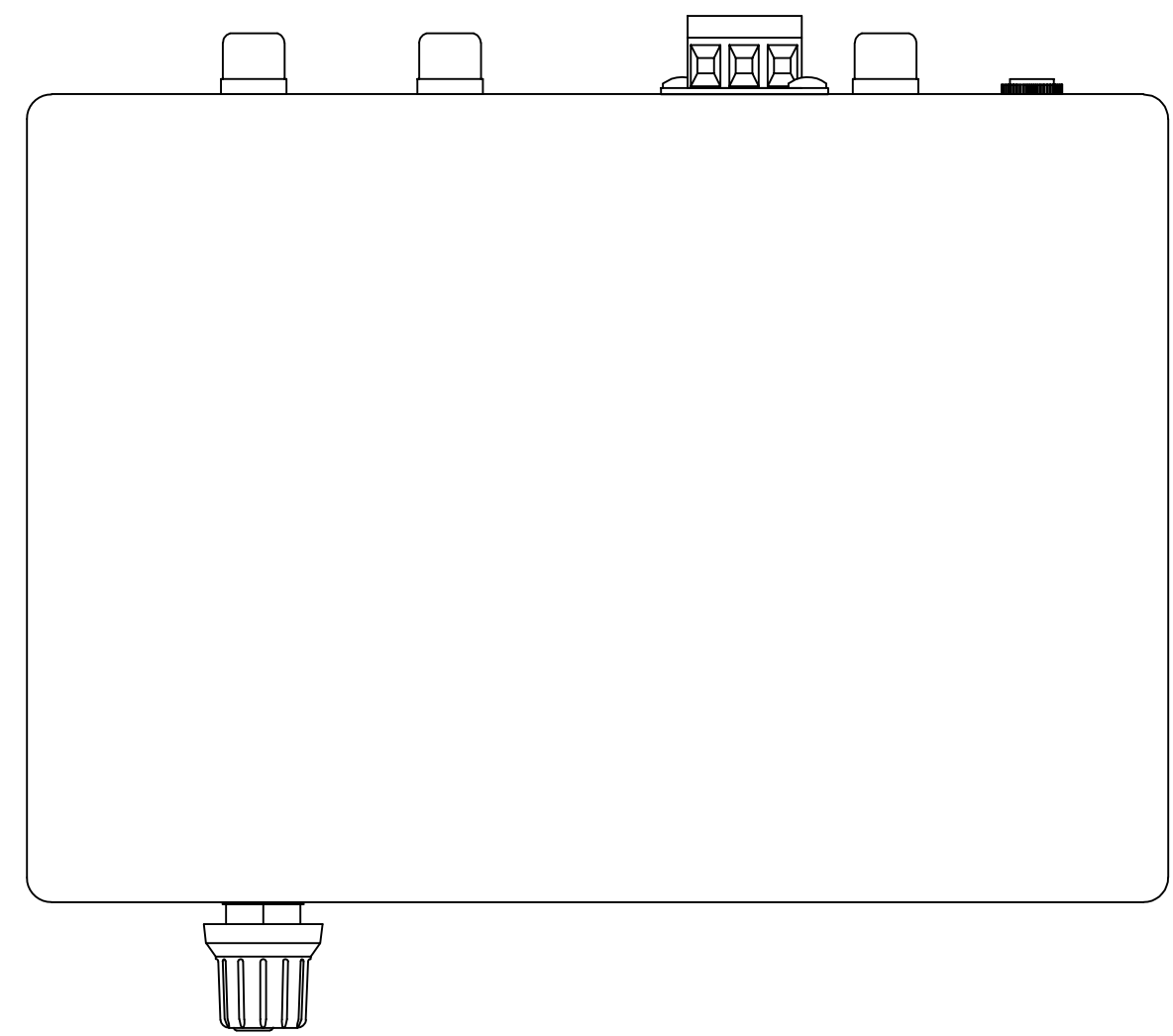
D

D



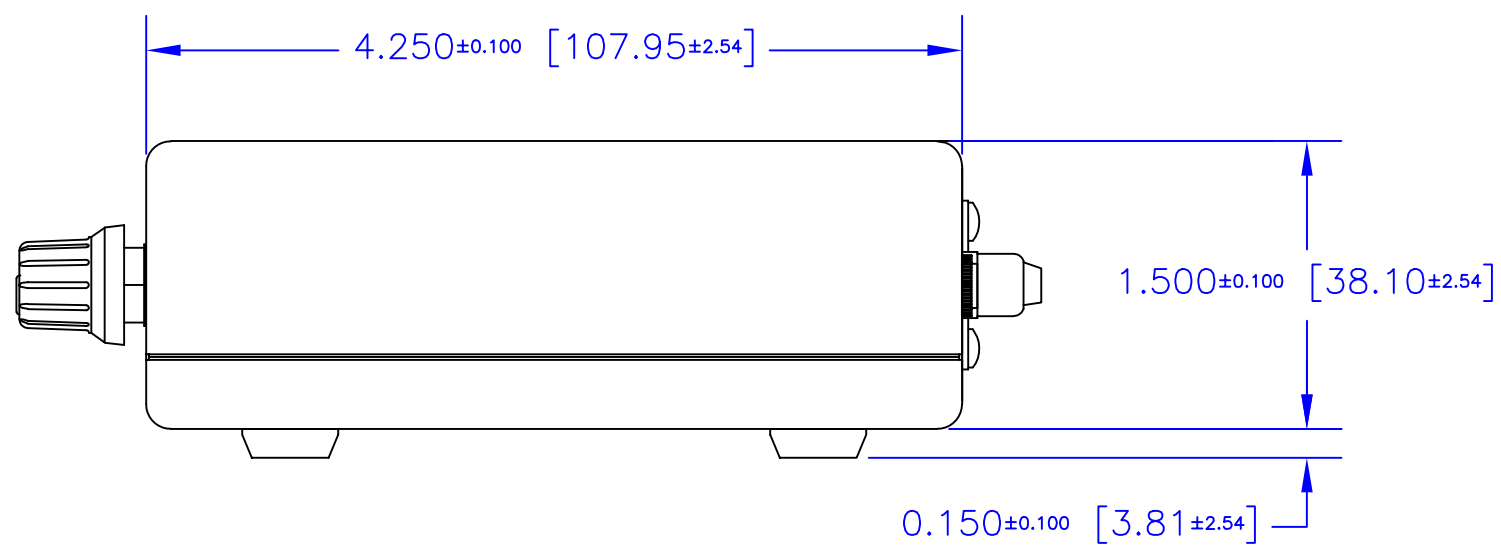
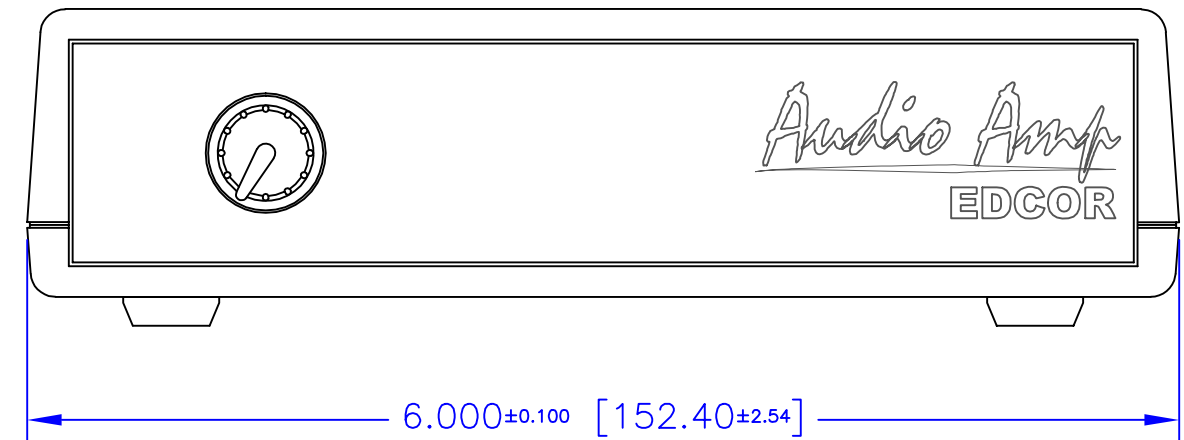
C

C



B

B



A

A

4

3

2

1

****NOTES: UNLESS OTHERWISE SPECIFIED!**
 1. ALL MATERIAL IS UL LISTED.
 2. ABS 94V0 PLASTIC.

DIMENSIONS ARE IN INCHES [MILLIMETERS]. X.XXX = ±0.010 X.XX = ±0.03 ANGLES = ±0.05 UNLESS OTHERWISE SPECIFIED		EDCOR Electronics 7130 National Parks Highway, Carlsbad, NM 88220 Voice: (505)887-6790 Fax: (505)887-6880 www.edcorusa.com					
DRAWING BY Brian Weston		Date 01/07		SIZE C	FSCM NO.	DWG NO. 12000-2003S-02	REV
CHECKED BY Brian Weston		Date 01/07					
APPROVED BY Larry Weston		Date 01/07					
SCALE: 1:1		©2007 EDCOR Electronics		SHEET: 1 of 1			