

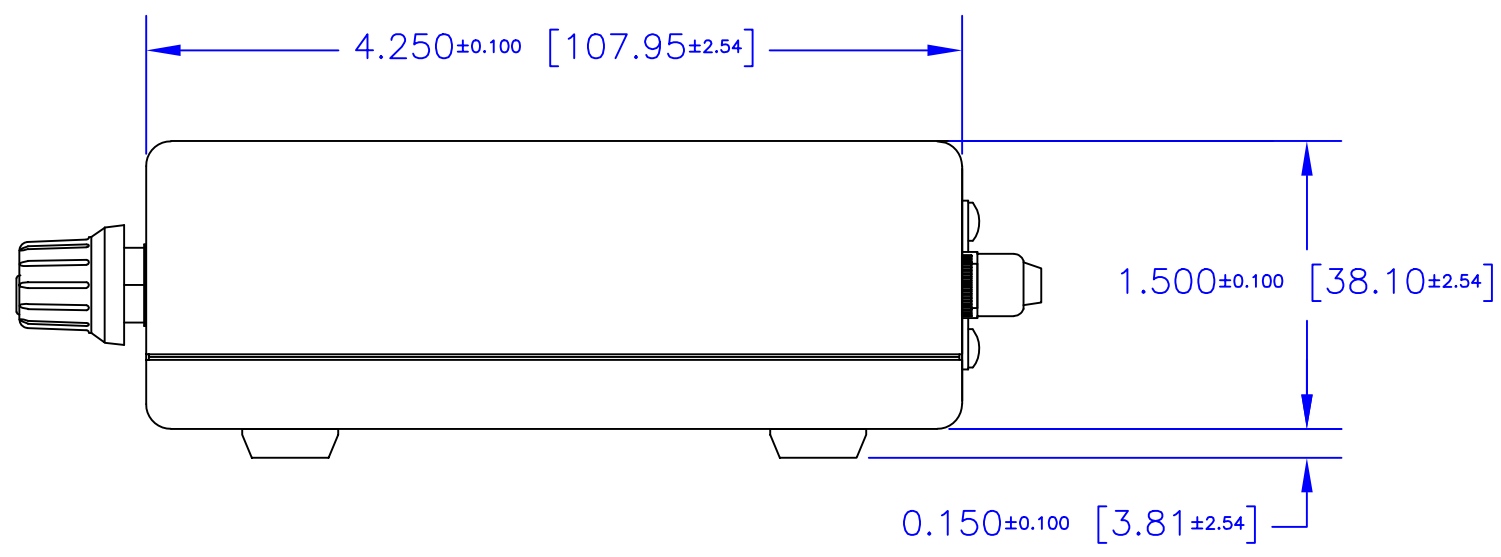
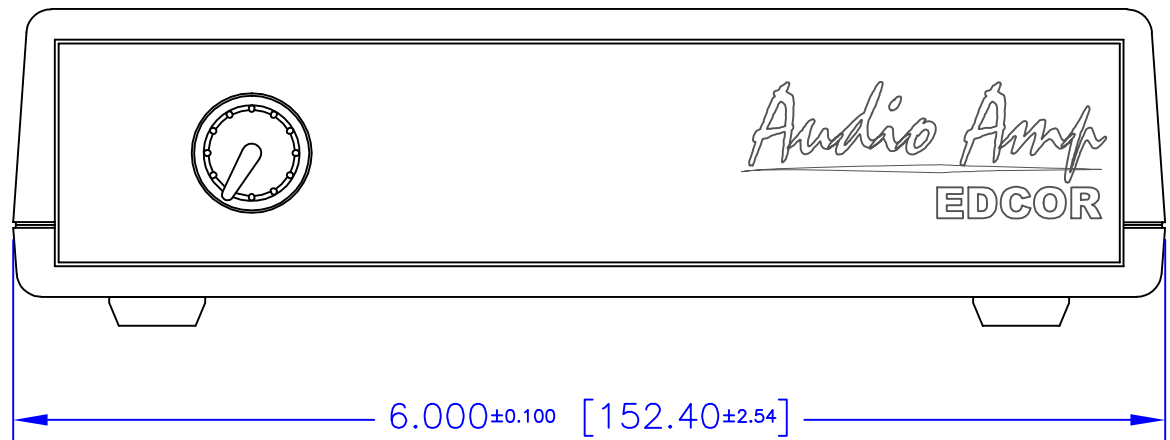
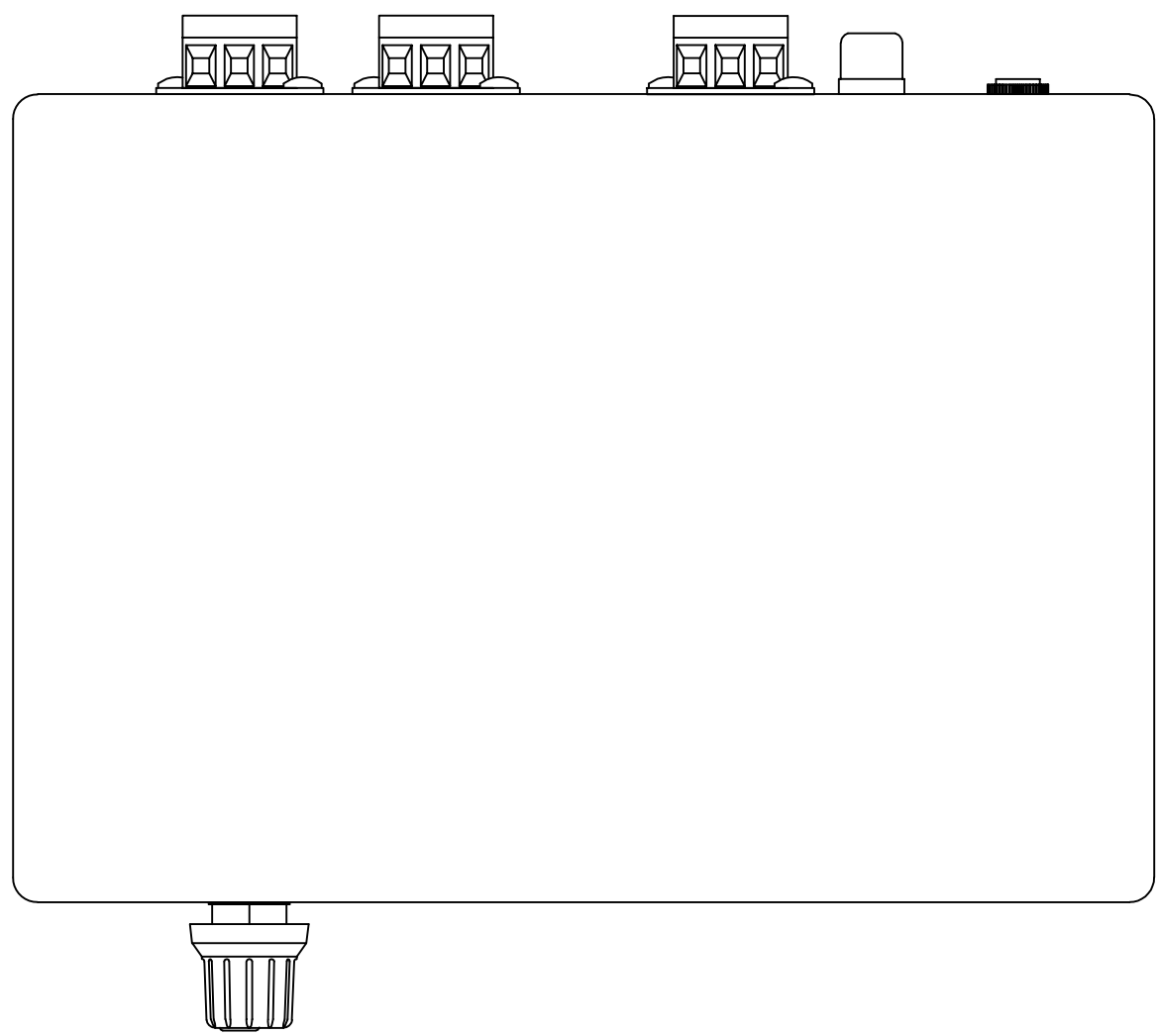
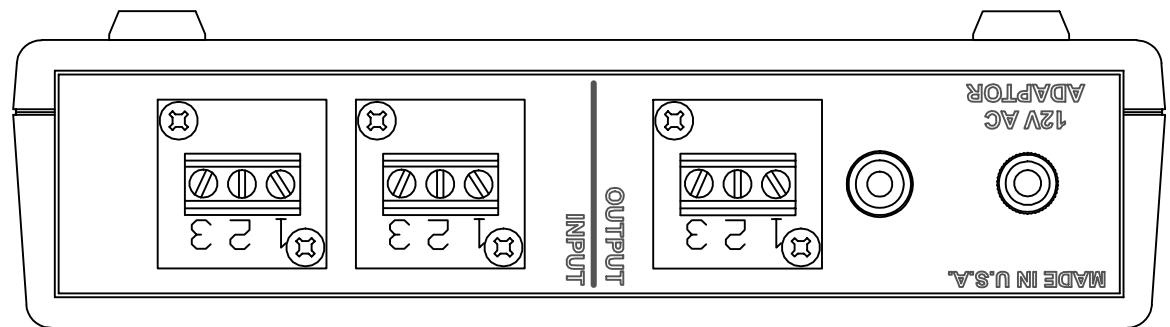
4

3

2

1

REVISIONS				
ZONE	REV	DESCRIPTION	DATE	APPROVED



****NOTES: UNLESS OTHERWISE SPECIFIED!**
 1. ALL MATERIAL IS UL LISTED.
 2. ABS 94V0 PLASTIC.

DIMENSIONS ARE IN INCHES [MILLIMETERS]. X.XXX = ±0.010 X.XX = ±0.03 ANGLES = ±0.05 UNLESS OTHERWISE SPECIFIED		EDCOR Electronics 7130 National Parks Highway, Carlsbad, NM 88220 Voice: (505)887-6790 Fax: (505)887-6880 www.edcorusa.com		
DRAWING BY Brian Weston		Date 01/07		
CHECKED BY Brian Weston		Date 01/07		
APPROVED BY Larry Weston		Date 01/07		
SIZE C	FSCM NO.	DWG NO. 12000-2003SB-02		REV
SCALE: 1:1		©2007 EDCOR Electronics		SHEET: 1 of 1

4

3

2

1