

4

5

2

1

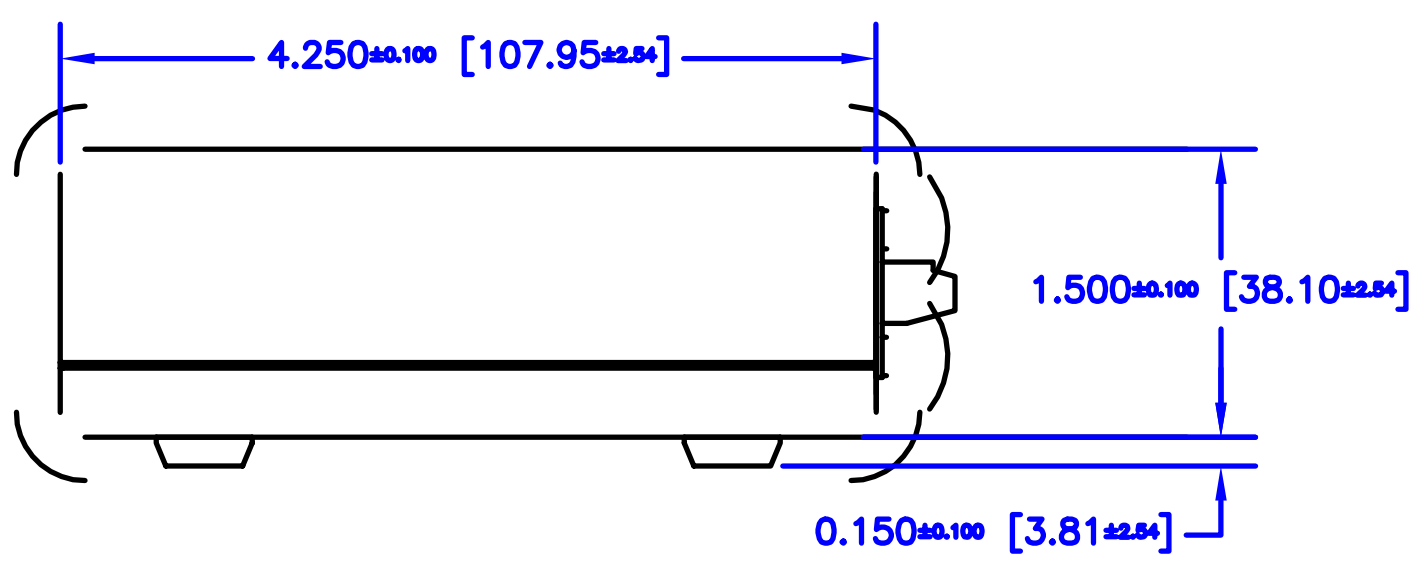
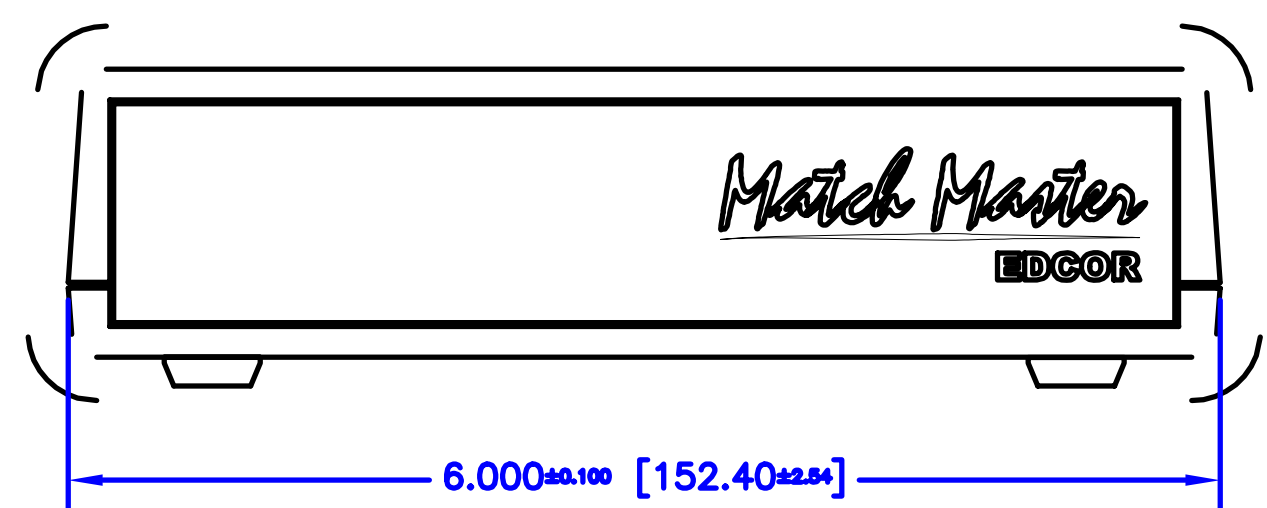
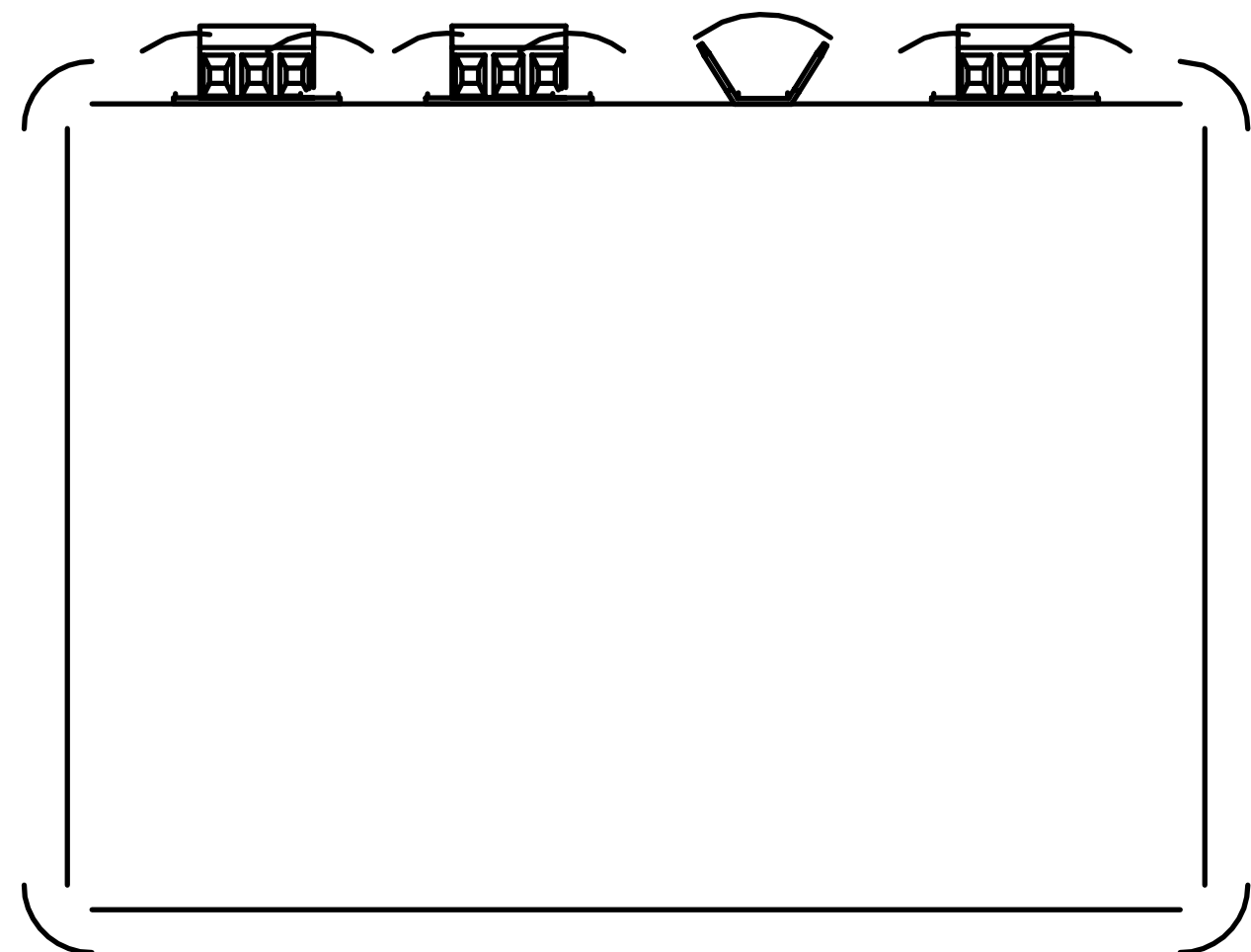
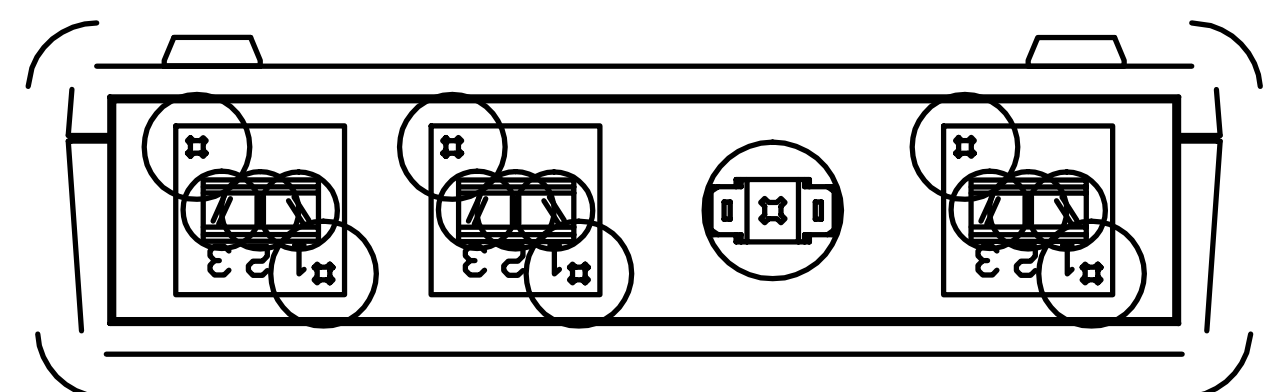
REVISIONS			
ZONE	REV	DESCRIPTION	DATE APPROVED
ALL	A	CHANGED CONNECTOR.	01/07 WESTC

D

C

B

A



**NOTES: UNLESS OTHERWISE SPECIFIED!
 1. ALL MATERIAL IS UL LISTED.
 2. ABS 94V0 PLASTIC.

DIMENSIONS IN INCHES AND MILLIMETERS
 INCORPORATED
 X-XXX E-XXXX (313) 897-4190 FAX (313) 897-4191
 UNLESS OTHERWISE SPECIFIED
 DRAWING TITLE
 CHECKED BY: JESCM NOD WGINC
 APPROVED BY: JESCM NOD WGINC
 SALE ©2007 EDGOR Electronics
EDGOR Electronics
Audio Combiner
12000-CB-

4

3

2

1