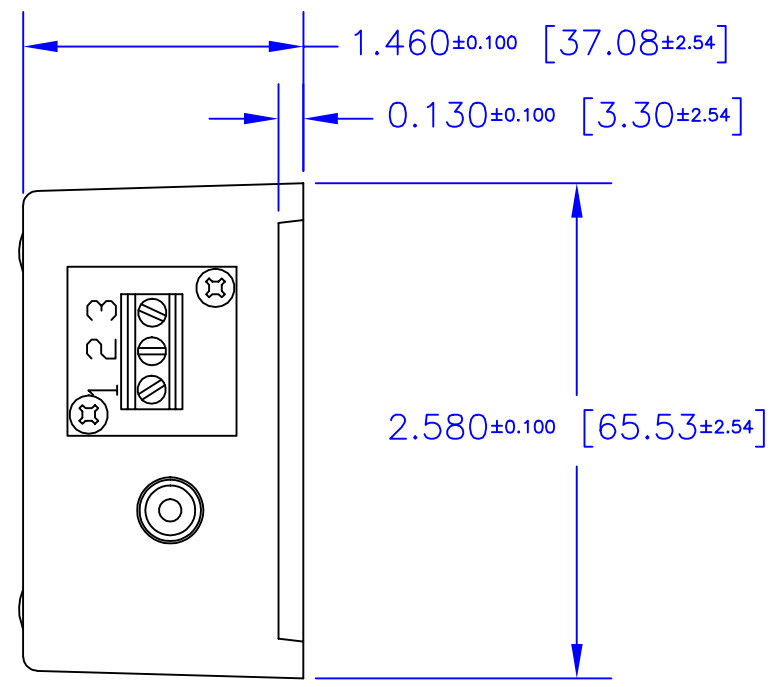
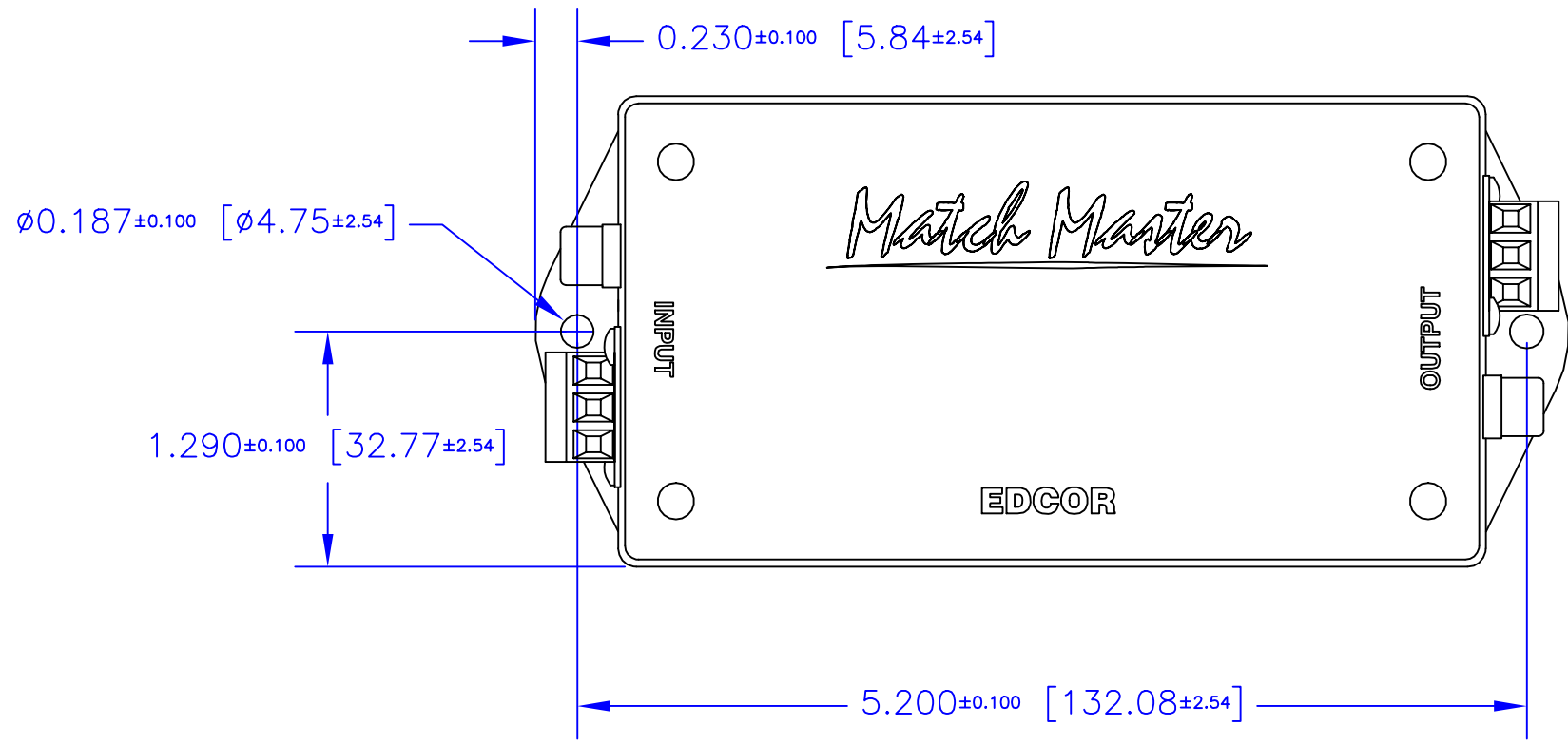
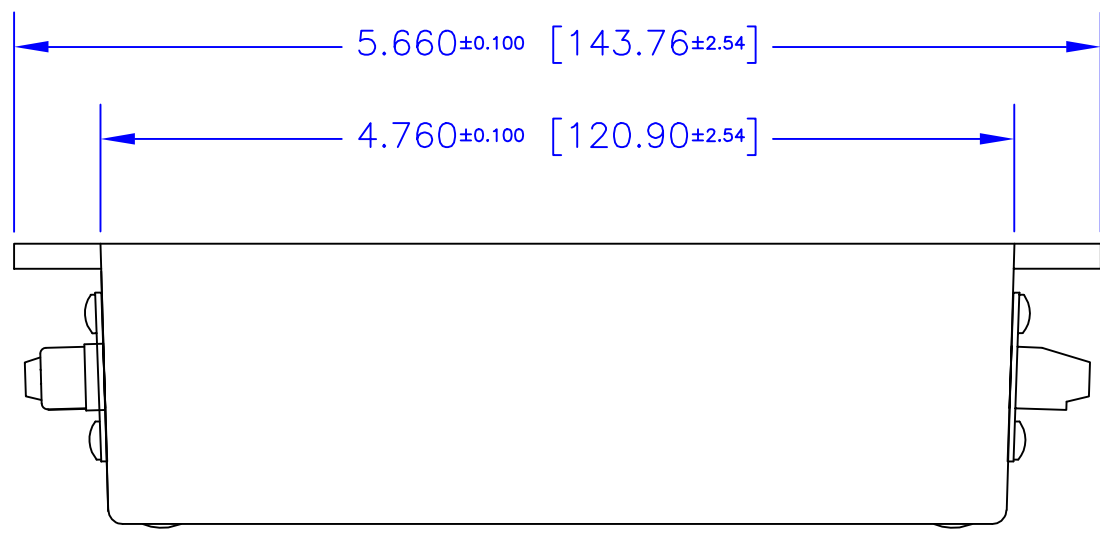


REVISIONS				
ZONE	REV	DESCRIPTION	DATE	APPROVED



**\*\*NOTES: UNLESS OTHERWISE SPECIFIED!**  
 1. ALL MATERIAL IS UL LISTED.  
 2. ABS 94V0 PLASTIC.

DIMENSIONS ARE IN INCHES [MILLIMETERS]. X.XXX = ±0.010 X.XX = ±0.03 ANGLES = ±0.05 UNLESS OTHERWISE SPECIFIED		<b>EDCOR Electronics</b> 7130 National Parks Highway, Carlsbad, NM 88220 Voice: (505)887-6790 Fax: (505)887-6880 <a href="http://www.edcorusa.com">www.edcorusa.com</a>		
DRAWING BY <b>Brian Weston</b>	Date <b>01/07</b>	<b>M2M Series</b> <b>Match Master</b>		REV
CHECKED BY <b>Brian Weston</b>	Date <b>01/07</b>	SIZE <b>C</b>	FSCM NO.	DWG NO. <b>12000-M2M00-02</b>
APPROVED BY <b>Larry Weston</b>	Date <b>01/07</b>	SCALE: 1:1	©2007 EDCOR Electronics	SHEET: 1 of 1