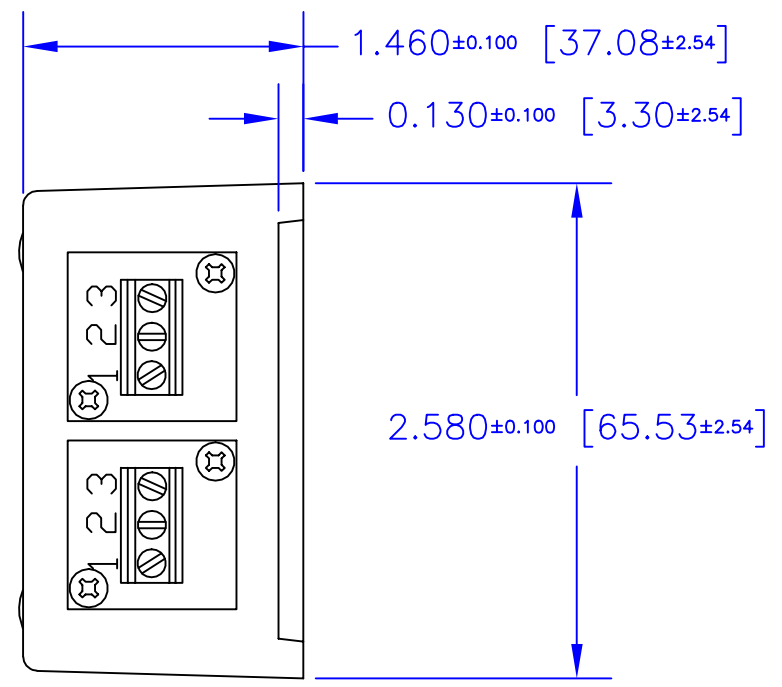
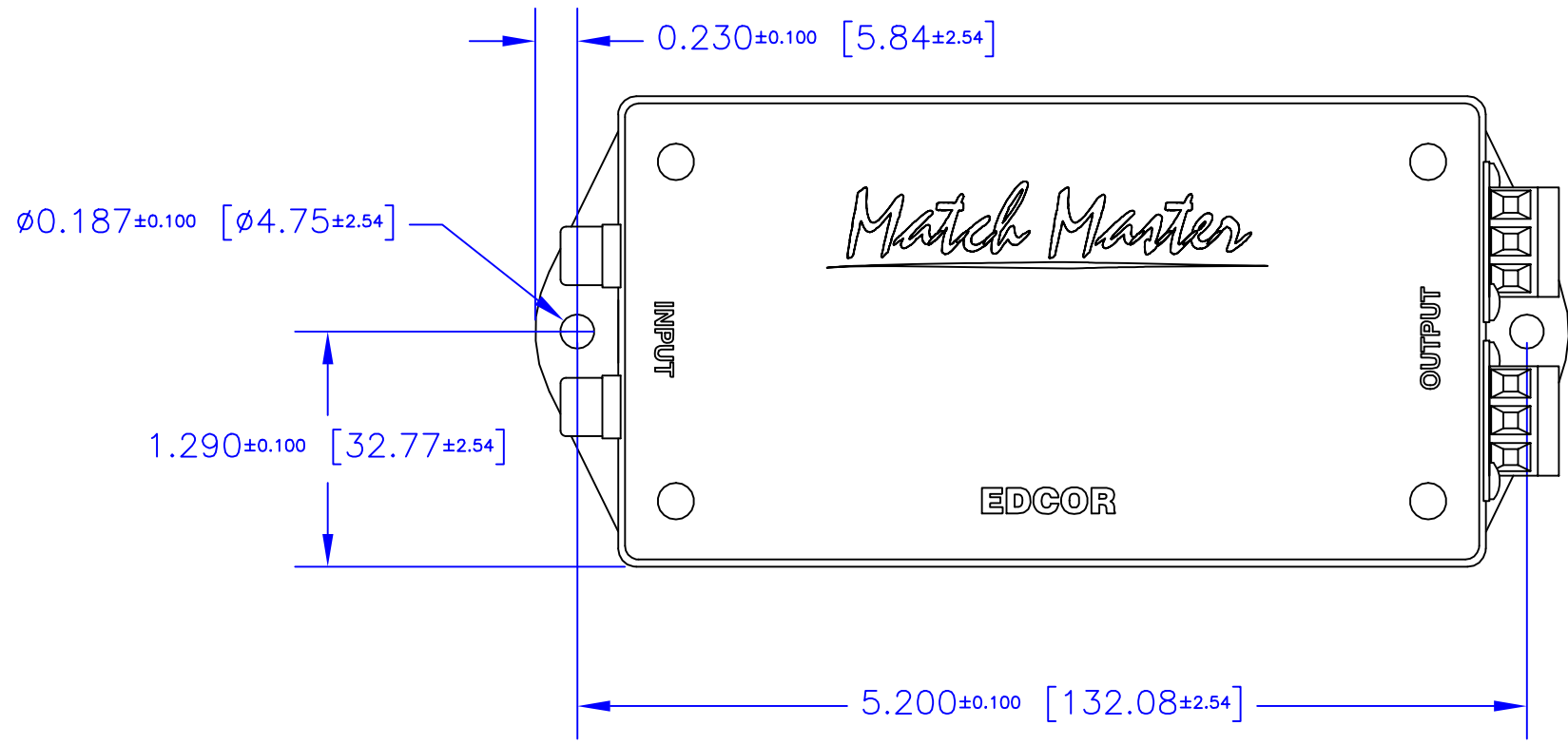
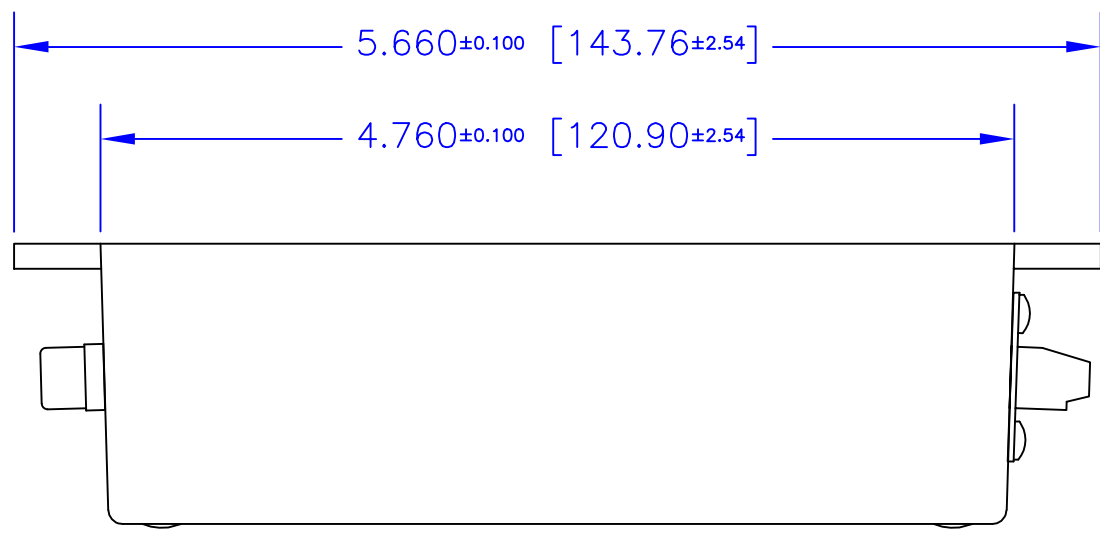


| REVISIONS |     |             |      |          |
|-----------|-----|-------------|------|----------|
| ZONE      | REV | DESCRIPTION | DATE | APPROVED |
|           |     |             |      |          |



**\*\*NOTES: UNLESS OTHERWISE SPECIFIED!**  
 1. ALL MATERIAL IS UL LISTED.  
 2. ABS 94V0 PLASTIC.

|   |                      |  |                         |                                  |
|---|----------------------|--|-------------------------|----------------------------------|
| DIMENSIONS ARE IN INCHES [MILLIMETERS].<br>X.XXX = ±0.010<br>X.XX = ±0.03<br>ANGLES = ±0.05<br>UNLESS OTHERWISE SPECIFIED |                      | <b>EDCOR Electronics</b><br>7130 National Parks Highway, Carlsbad, NM 88220<br>Voice: (505)887-6790 Fax: (505)887-6880<br><a href="http://www.edcorusa.com">www.edcorusa.com</a> |                         |                                  |
| DRAWING BY<br><b>Brian Weston</b>   | Date<br><b>01/07</b> | <b>S2S Series with terminals on the output.<br/>         Stereo Match Master</b>   |                         |                                  |
| CHECKED BY<br><b>Brian Weston</b>   | Date<br><b>01/07</b> | SIZE<br><b>C</b>   | FSCM NO.                | DWG NO.<br><b>12000-S2S0T-00</b> |
| APPROVED BY<br><b>Larry Weston</b>  | Date<br><b>01/07</b> | SCALE: 1:1   | ©2007 EDCOR Electronics | SHEET: 1 of 1                    |