

4

3

2

1

REVISIONS				
ZONE	REV	DESCRIPTION	DATE	APPROVED

D

D

C

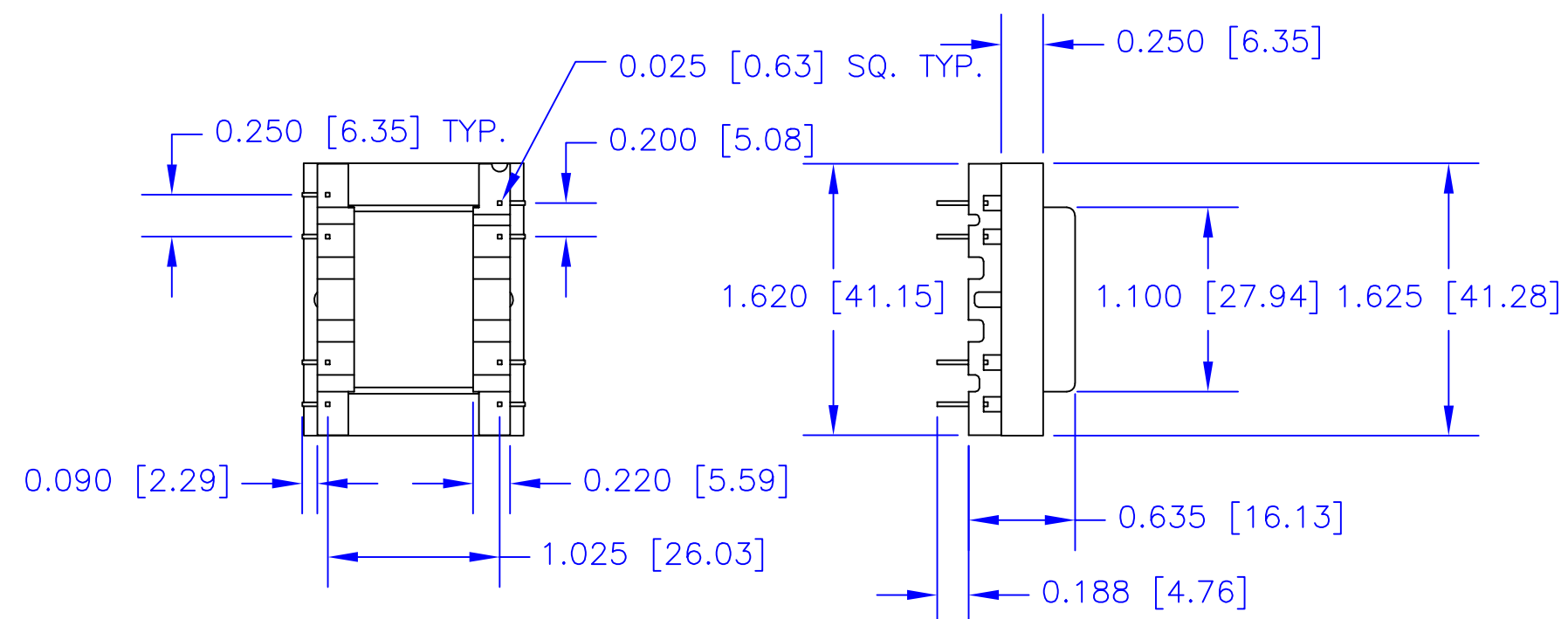
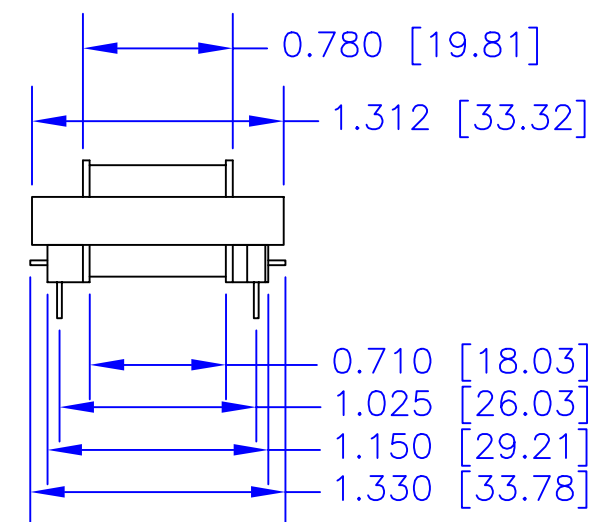
C

B

B

A

A

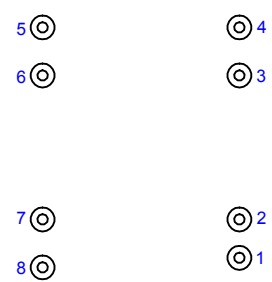


### PCB MOUNTING SPECIFICATIONS

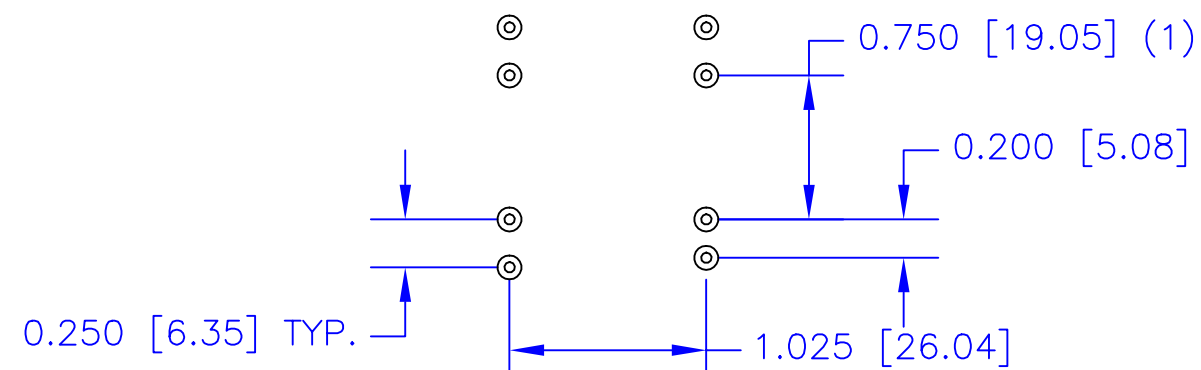
**PCB NOTES:**

- PIN 1 IS OFFSET FOR KEYING.
- PAD SHOULD BE AT LEAST 125 MIL. DIA.
- DRILL TROUGH HOLES SHOULD BE 55 MIL. DIA. AFTER 2 OZ. COPPER PLATED THROUGH HOLE.

**PIN ORIENTATION  
(COMPONENT LAYER)**



**FOOTPRINT  
(COMPONENT LAYER)**



**\*\*NOTES: UNLESS OTHERWISE SPECIFIED!**

- ALL MATERIAL IS UL LISTED.
- BOBBIN IS AN EDCOR QUALITY SERIES.
- 8 PIN PCB MOUNTED.

DIMENSIONS ARE IN INCHES [MILLIMETERS]. X.XXX = ±0.010 X.XX = ±0.03 ANGLES = ±0.05 UNLESS OTHERWISE SPECIFIED		<b>EDCOR Electronics</b> 7130 National Parks Highway, Carlsbad, NM 88220 Voice: (505)887-6790 Fax: (505)887-6880 <a href="http://www.edcorusa.com">www.edcorusa.com</a>					
DRAWING BY <b>Brian Weston</b>		Date <b>9/2003</b>		SIZE <b>C</b>	FSCM NO. <b>15000-EI050-025-P08</b>	DWG NO. <b>15000-EI050-025-P08</b>	REV
CHECKED BY <b>Brian Weston</b>		Date <b>9/2003</b>					
APPROVED BY <b>Larry Weston</b>		Date <b>9/2003</b>					
SCALE: 1:1		©2003 EDCOR Electronics		SHEET: 1 of 1			

4

3

2

1