

4

3

2

1

D

D

C

C

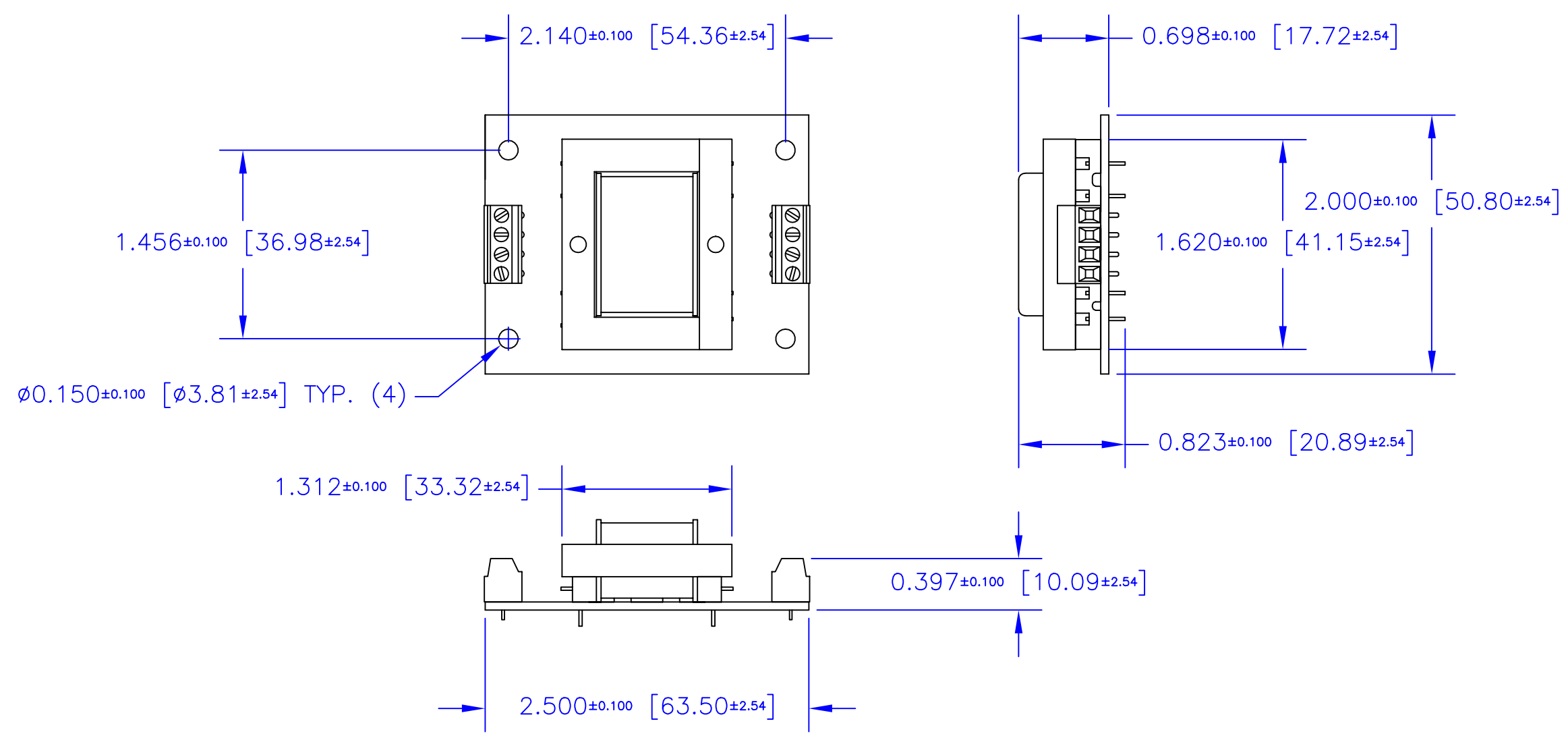
B

B

A

A

REVISIONS				
ZONE	REV	DESCRIPTION	DATE	APPROVED



- \*\*NOTES: UNLESS OTHERWISE SPECIFIED!**
1. ALL MATERIAL IS UL LISTED.
  2. BOBBIN IS AN EDCOR QUALITY SERIES.
  3. 8 PIN PCB MOUNTED.
  4. SINGLE SIDED 2 OZ. COPPER PRINTED CIRCUIT BOARD.
  5. CONNECTOR IS RATED AT 300V, 12A.
  6. CONNECTOR ACCEPTS 30 AWG TO 18 AWG STRANDED OR SOLID WIRE.

DIMENSIONS ARE IN INCHES [MILLIMETERS]. X.XXX = ±0.010 X.XX = ±0.03 ANGLES = ±0.05 UNLESS OTHERWISE SPECIFIED		<b>EDCOR Electronics</b> 7130 National Parks Highway, Carlsbad, NM 88220 Voice: (505)887-6790 Fax: (505)887-6880 <a href="http://www.edcorusa.com">www.edcorusa.com</a>		
DRAWING BY <b>Brian Weston</b>	Date <b>7/2004</b>	SIZE <b>C</b>		FSCM NO.
CHECKED BY <b>Brian Weston</b>	Date <b>7/2004</b>	DWG NO. <b>15000-EI050-025-T</b>		REV
APPROVED BY <b>Larry Weston</b>	Date <b>7/2004</b>	SCALE: 1:1	©2004 EDCOR Electronics	SHEET: 1 of 1

4

3

2

1