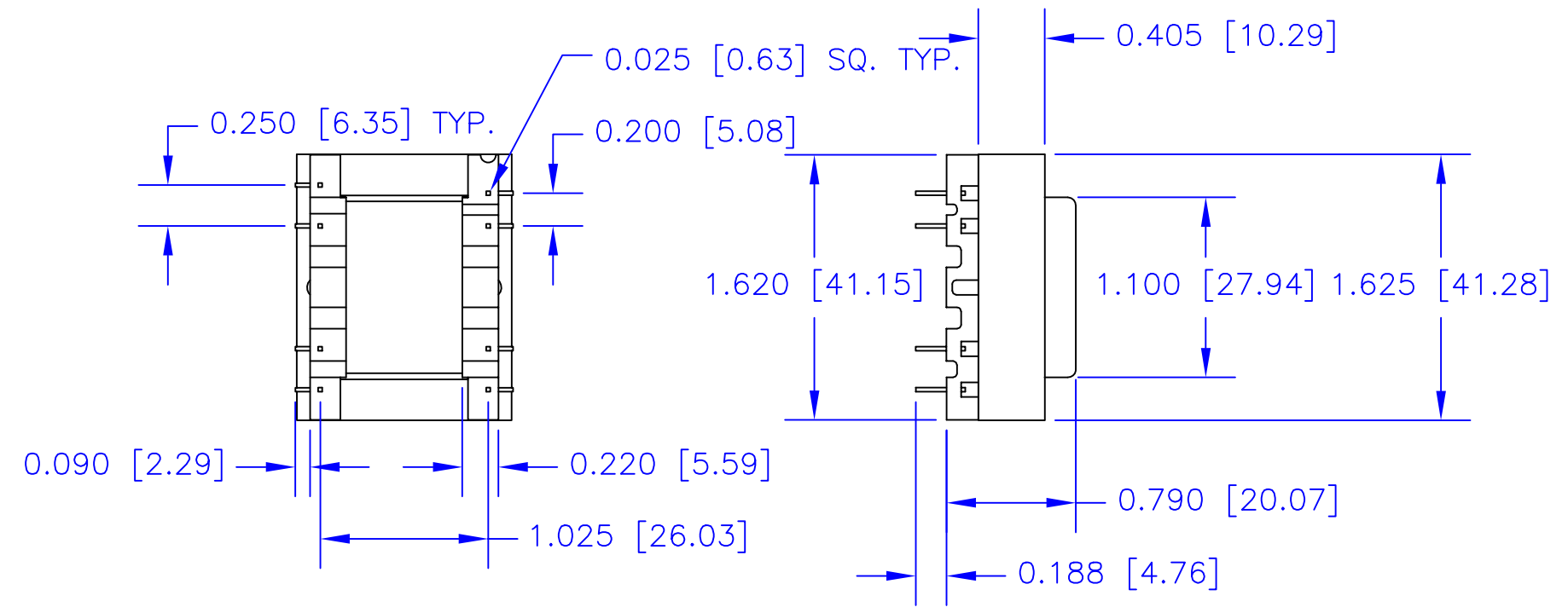
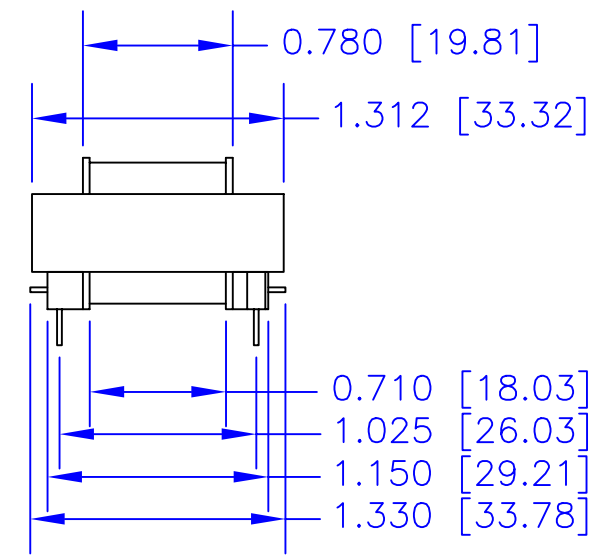


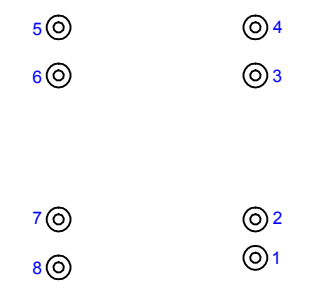
REVISIONS				
ZONE	REV	DESCRIPTION	DATE	APPROVED



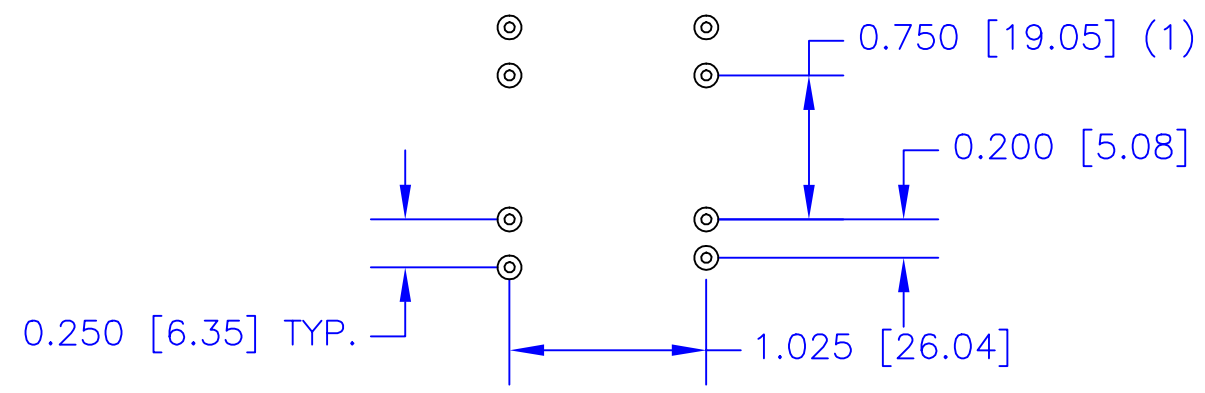
PCB MOUNTING SPECIFICATIONS

- PCB NOTES:**
- PIN 1 IS OFFSET FOR KEYING.
 - PAD SHOULD BE AT LEAST 125 MIL. DIA.
 - DRILL TROUGH HOLES SHOULD BE 55 MIL. DIA. AFTER 2 OZ. COPPER PLATED THROUGH HOLE.

**PIN ORIENTATION
(COMPONENT LAYER)**



**FOOTPRINT
(COMPONENT LAYER)**



- **NOTES: UNLESS OTHERWISE SPECIFIED!**
- ALL MATERIAL IS UL LISTED.
 - BOBBIN IS AN EDCOR QUALITY SERIES.
 - 8 PIN PCB MOUNTED.

DIMENSIONS ARE IN INCHES [MILLIMETERS]. X.XXX = ±0.010 X.XX = ±0.03 ANGLES = ±0.05 UNLESS OTHERWISE SPECIFIED		EDCOR Electronics 7130 National Parks Highway, Carlsbad, NM 88220 Voice: (505)887-6790 Fax: (505)887-6880 www.edcorusa.com		
DRAWING BY Brian Weston		Date 9/2003		SIZE C
CHECKED BY Brian Weston		Date 9/2003		FSCM NO. 15000-EI050-037-P08
APPROVED BY Larry Weston		Date 9/2003		DWG NO. 15000-EI050-037-P08
SCALE: 1:1		©2003 EDCOR Electronics		SHEET: 1 of 1