

4

3

2

1

D

D

C

C

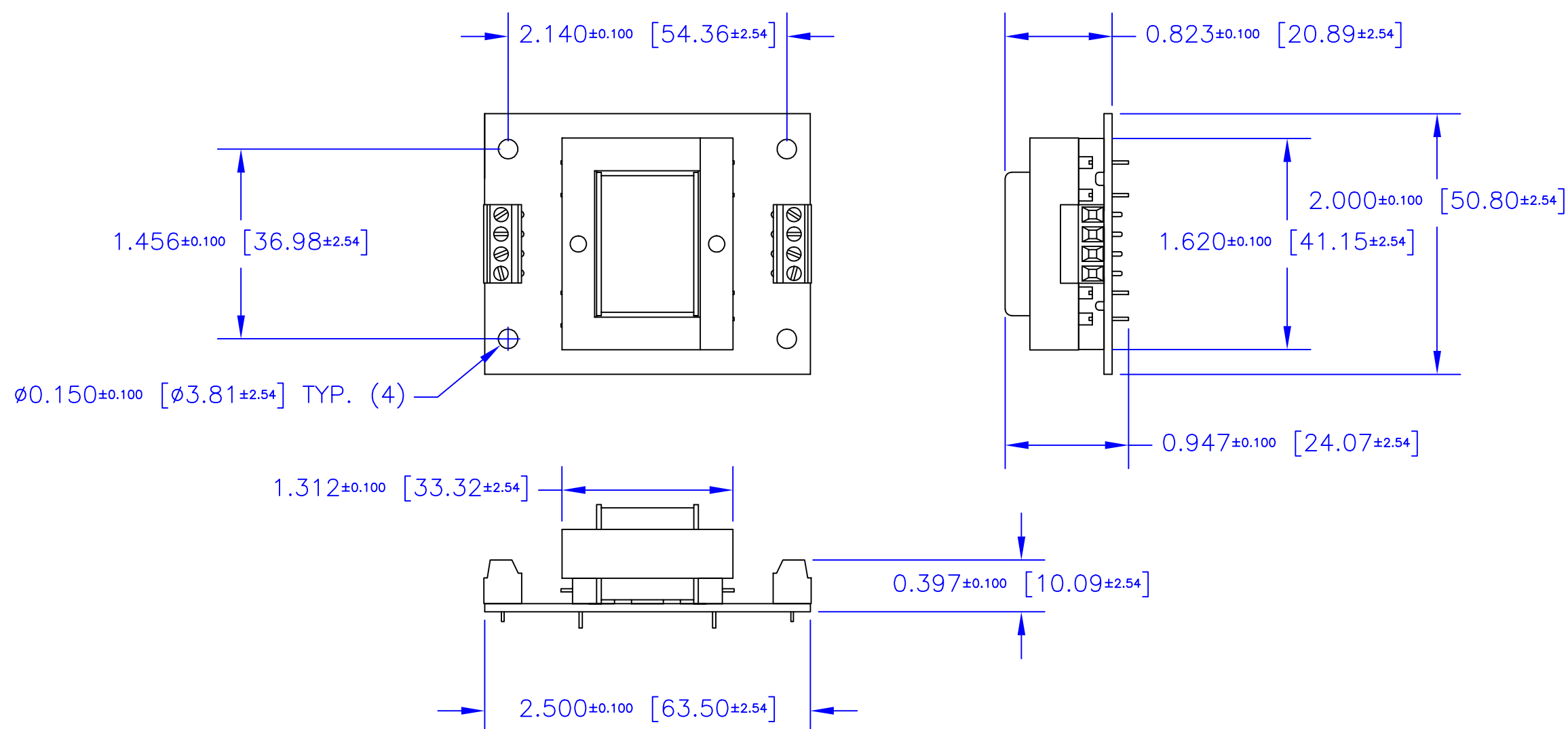
B

B

A

A

REVISIONS				
ZONE	REV	DESCRIPTION	DATE	APPROVED



- **NOTES: UNLESS OTHERWISE SPECIFIED!**
1. ALL MATERIAL IS UL LISTED.
 2. BOBBIN IS AN EDCOR QUALITY SERIES.
 3. 8 PIN PCB MOUNTED.
 4. SINGLE SIDED 2 OZ. COPPER PRINTED CIRCUIT BOARD.
 5. CONNECTOR IS RATED AT 300V, 12A.
 6. CONNECTOR ACCEPTS 30 AWG TO 18 AWG STRANDED OR SOLID WIRE.

DIMENSIONS ARE IN INCHES [MILLIMETERS]. X.XXX = ±0.010 X.XX = ±0.03 ANGLES = ±0.05 UNLESS OTHERWISE SPECIFIED		EDCOR Electronics 7130 National Parks Highway, Carlsbad, NM 88220 Voice: (505)887-6790 Fax: (505)887-6880 www.edcorusa.com		
DRAWING BY Brian Weston	Date 7/2004	EI050 x 3/8", TPC Series. Audio Transformer		REV
CHECKED BY Brian Weston	Date 7/2004	SIZE C	FSCM NO.	DWG NO. 15000-EI050-037-T
APPROVED BY Larry Weston	Date 7/2004	SCALE: 1:1	©2004 EDCOR Electronics	SHEET: 1 of 1

4

3

2

1