

4

3

2

1

REVISIONS				
ZONE	REV	DESCRIPTION	DATE	APPROVED

D

D

C

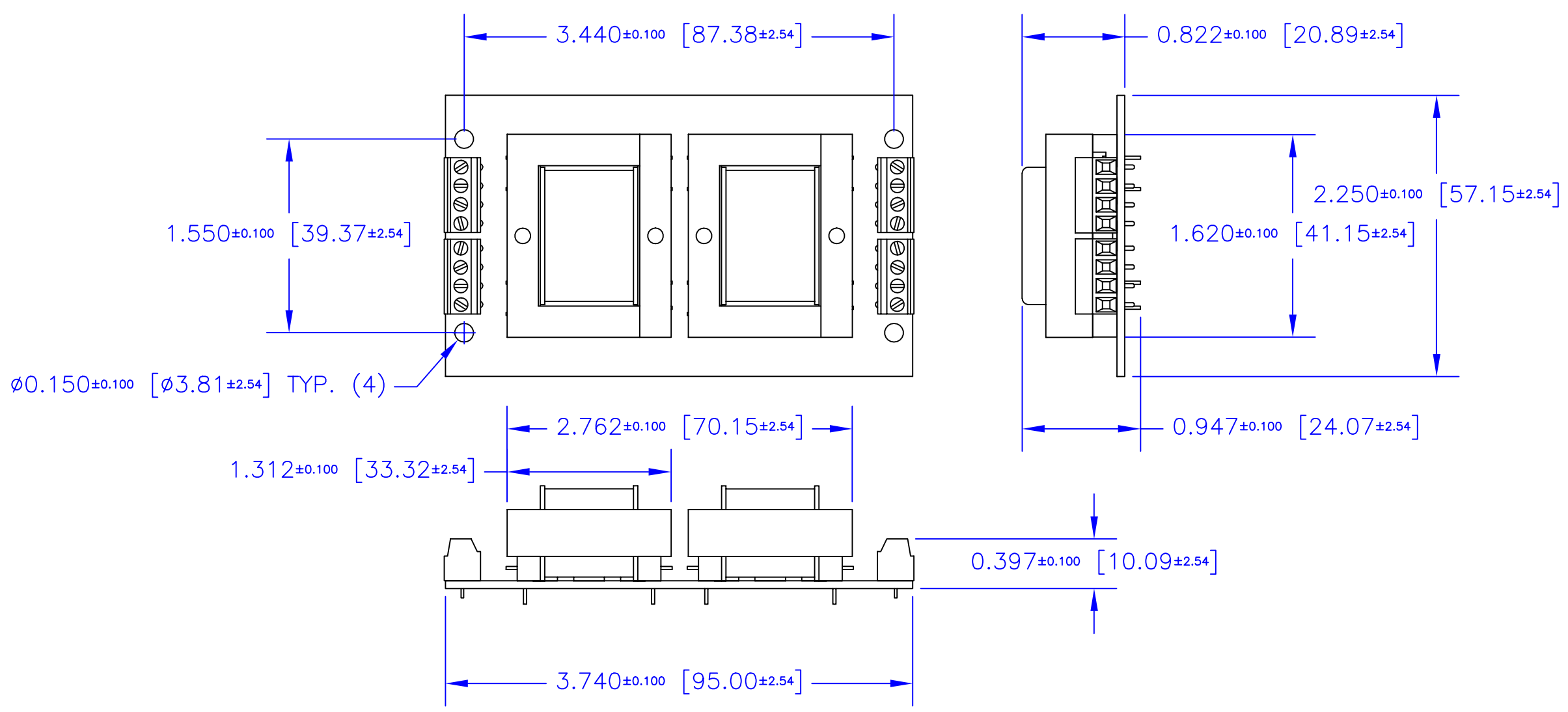
C

B

B

A

A



- **NOTES: UNLESS OTHERWISE SPECIFIED!**
1. ALL MATERIAL IS UL LISTED.
 2. BOBBIN IS AN EDCOR QUALITY SERIES.
 3. 8 PIN PCB MOUNTED.
 4. SINGLE SIDED 2 OZ. COPPER PRINTED CIRCUIT BOARD.
 5. CONNECTOR IS RATED AT 300V, 12A.
 6. CONNECTOR ACCEPTS 30 AWG TO 16 AWG STRANDED OR SOLID WIRE.

DIMENSIONS ARE IN INCHES [MILLIMETERS]. X.XXX = ±0.010 X.XX = ±0.03 ANGLES = ±0.05 UNLESS OTHERWISE SPECIFIED		EDCOR Electronics 7130 National Parks Highway, Carlsbad, NM 88220 Voice: (505)887-6790 Fax: (505)887-6880 www.edcorusa.com					
DRAWING BY Brian Weston		Date 7/2004		SIZE C	FSCM NO.	DWG NO. 15000-EI050-038-TT	REV
CHECKED BY Brian Weston		Date 7/2004					
APPROVED BY Larry Weston		Date 7/2004					
SCALE: 1:1		©2004 EDCOR Electronics		SHEET: 1 of 1			

4

3

2

1