

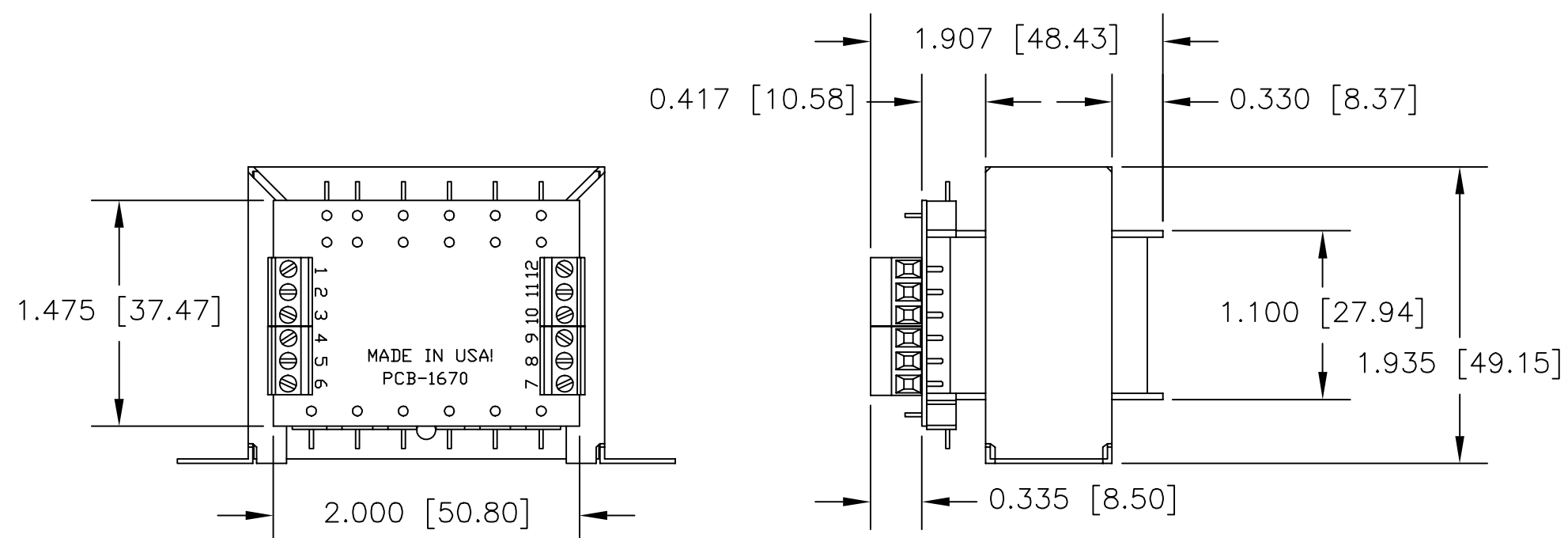
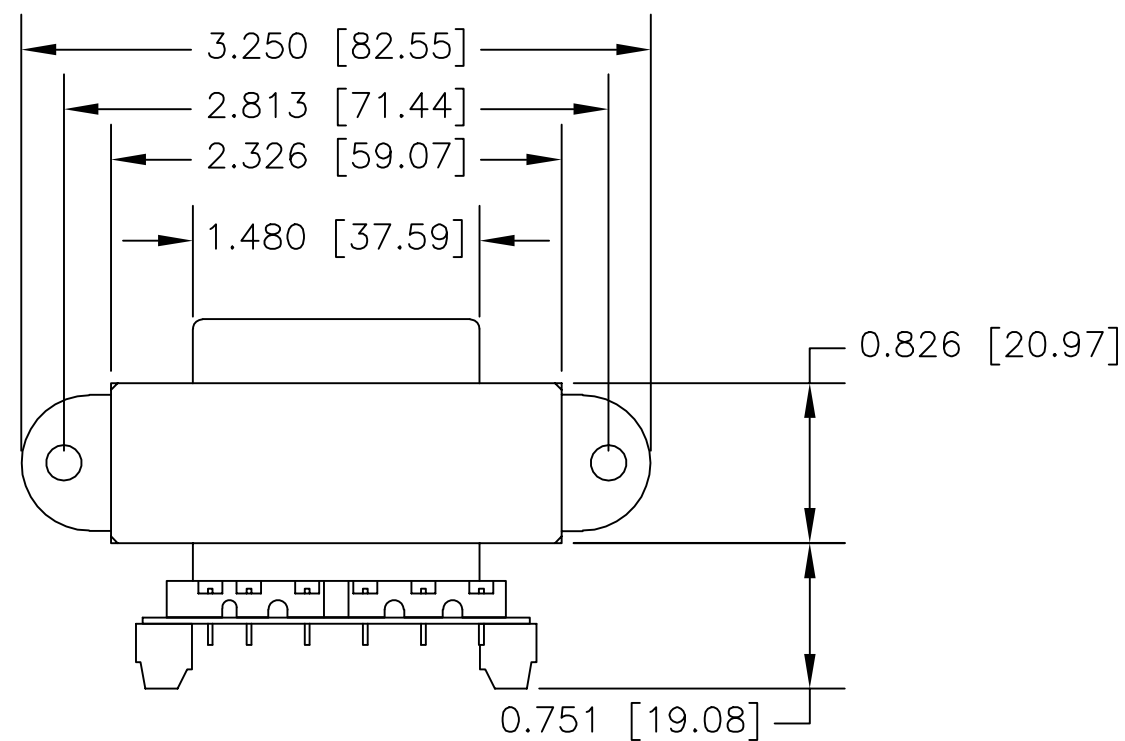
4

3

2

1

REVISIONS				
ZONE	REV	DESCRIPTION	DATE	APPROVED



**\*\*NOTES: UNLESS OTHERWISE SPECIFIED!**  
 1. ALL MATERIAL IS UL LISTED.  
 2. BOBBIN IS AN EDCOR QUALITY SERIES.  
 3. TERMINAL WILL ACCEPT UP TO 18GA. WIRE.

DIMENSIONS ARE IN INCHES [MILLIMETERS]. X.XXX = ±0.010 X.XX = ±0.03 ANGLES = ±0.05 UNLESS OTHERWISE SPECIFIED		<b>EDCOR Electronics</b> 7130 National Parks Highway, Carlsbad, NM 88220 Voice: (505)887-6790 Fax: (505)887-6880 <a href="http://www.edcorusa.com">www.edcorusa.com</a>		
DRAWING BY <b>Brian Weston</b>		Date <b>6/2005</b>		
CHECKED BY <b>Brian Weston</b>		Date <b>6/2005</b>	SIZE <b>C</b>	FSCM NO. <b>15000-EI075-075-EZP</b>
APPROVED BY <b>Larry Weston</b>		Date <b>6/2005</b>	DWG NO. <b>15000-EI075-075-EZP</b>	REV <b> </b>
SCALE: 1:1		©2005 EDCOR Electronics	SHEET: 1 of 1	

4

3

2

1