

4

3

2

1

REVISIONS				
ZONE	REV	DESCRIPTION	DATE	APPROVED

D

D

C

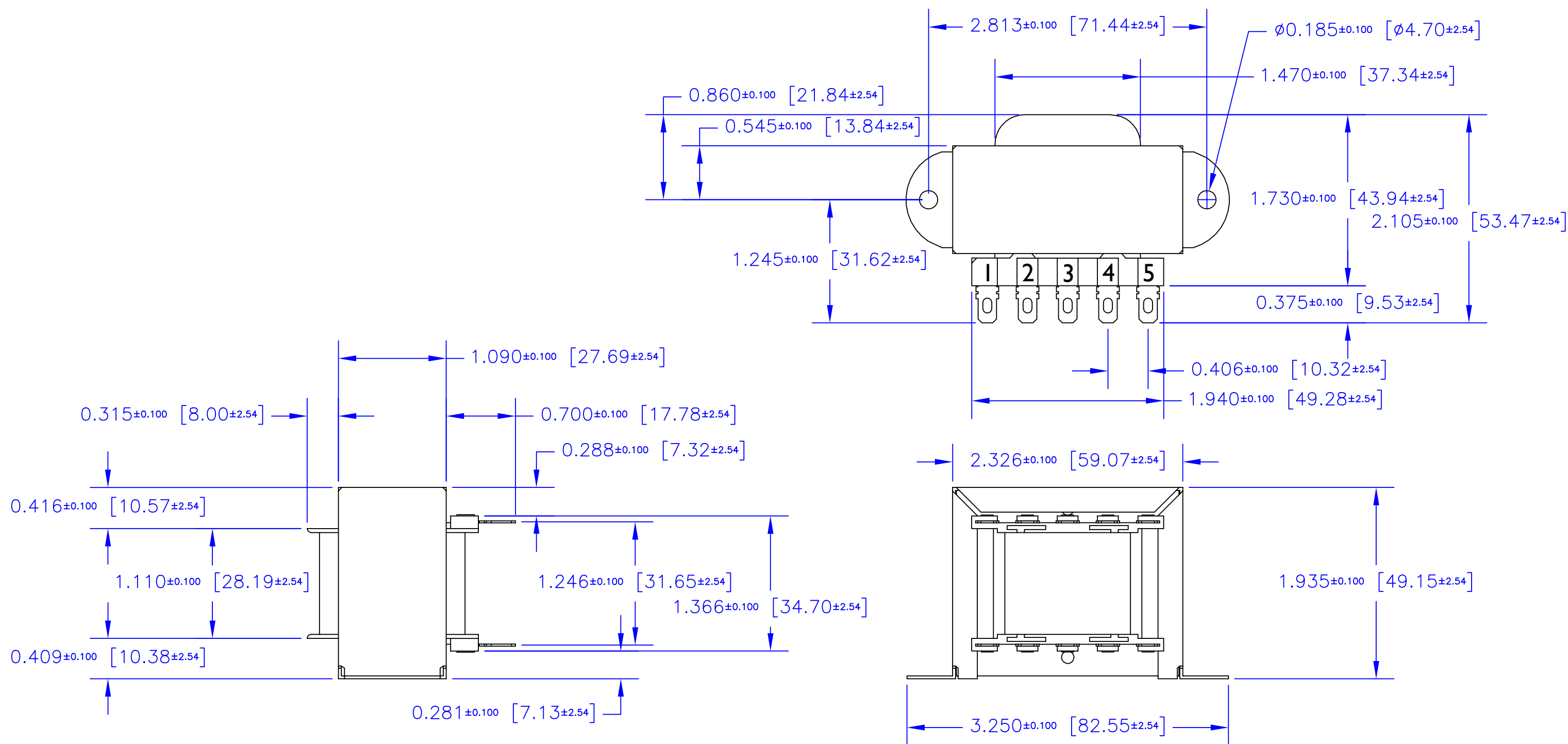
C

B

B

A

A



****NOTES: UNLESS OTHERWISE SPECIFIED!**
 1. ALL MATERIAL IS UL LISTED.
 2. BOBBIN IS AN EDCOR QUALITY SERIES.
 3. TERMINATION IS 0.1875" QUICK DISCONNECT.

DIMENSIONS ARE IN INCHES [MILLIMETERS]. X.XXX = ±0.010 X.XX = ±0.03 ANGLES = ±0.05 UNLESS OTHERWISE SPECIFIED		EDCOR Electronics 7130 National Parks Highway, Carlsbad, NM 88220 Voice: (505)887-6790 Fax: (505)887-6880 www.edcorusa.com					
DRAWING BY Brian Weston		Date 4/2003		SIZE C	FSCM NO.	DWG NO. 15000-EI075-100-18	REV
CHECKED BY Brian Weston		Date 4/2003					
APPROVED BY Larry Weston		Date 4/2003					
SCALE: 1:1		©2003 EDCOR Electronics		SHEET: 1 of 1			

4

3

2

1