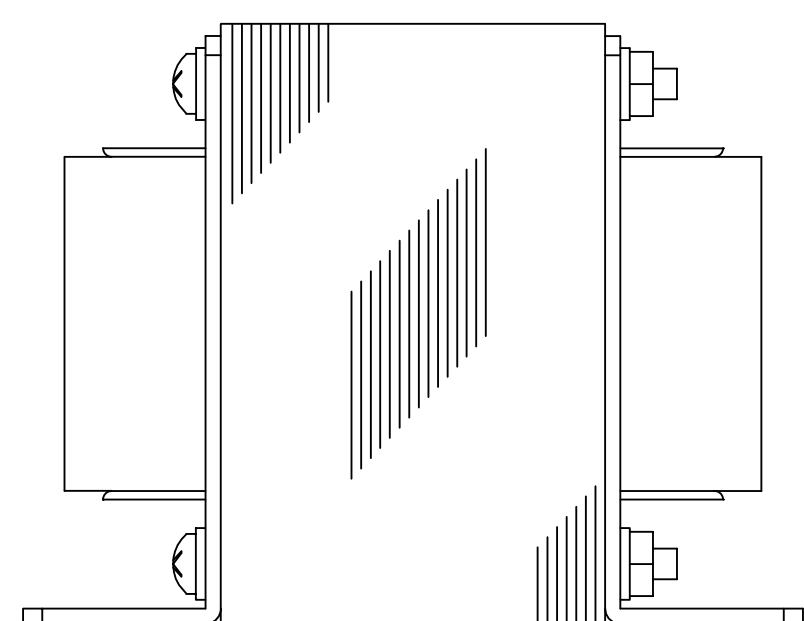
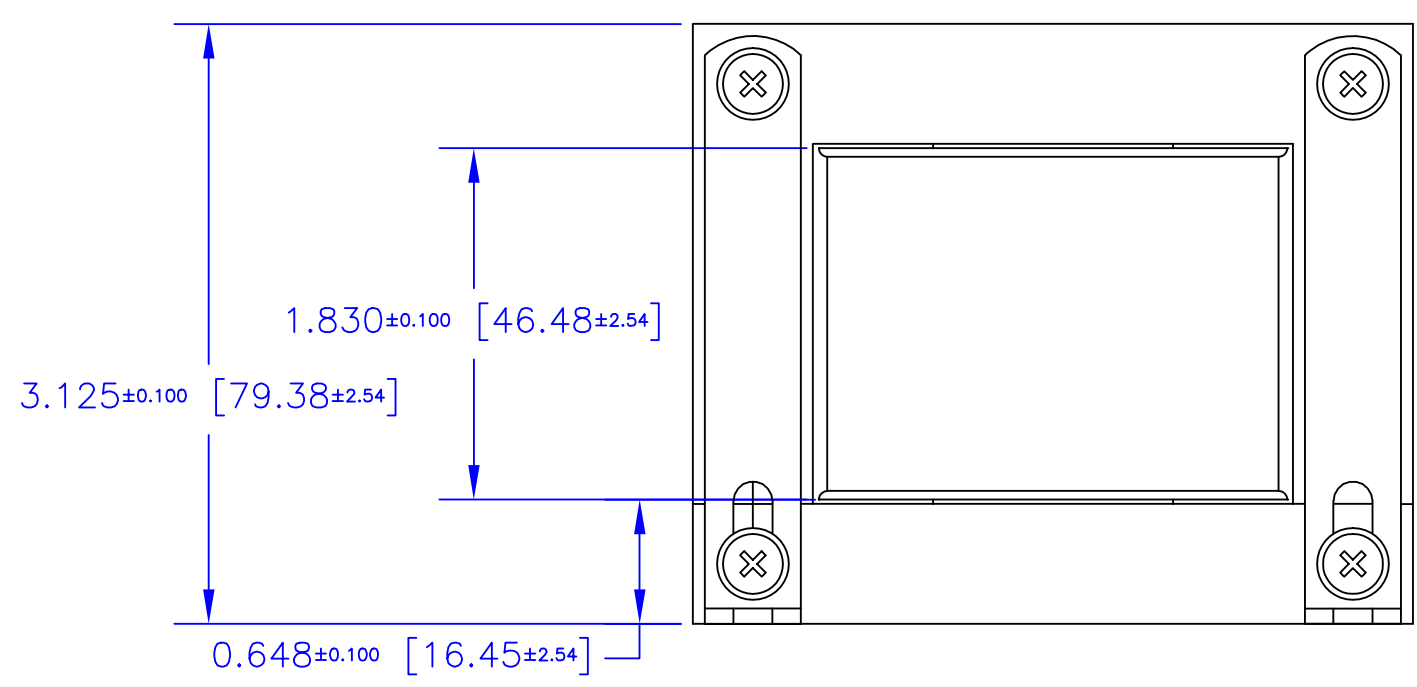
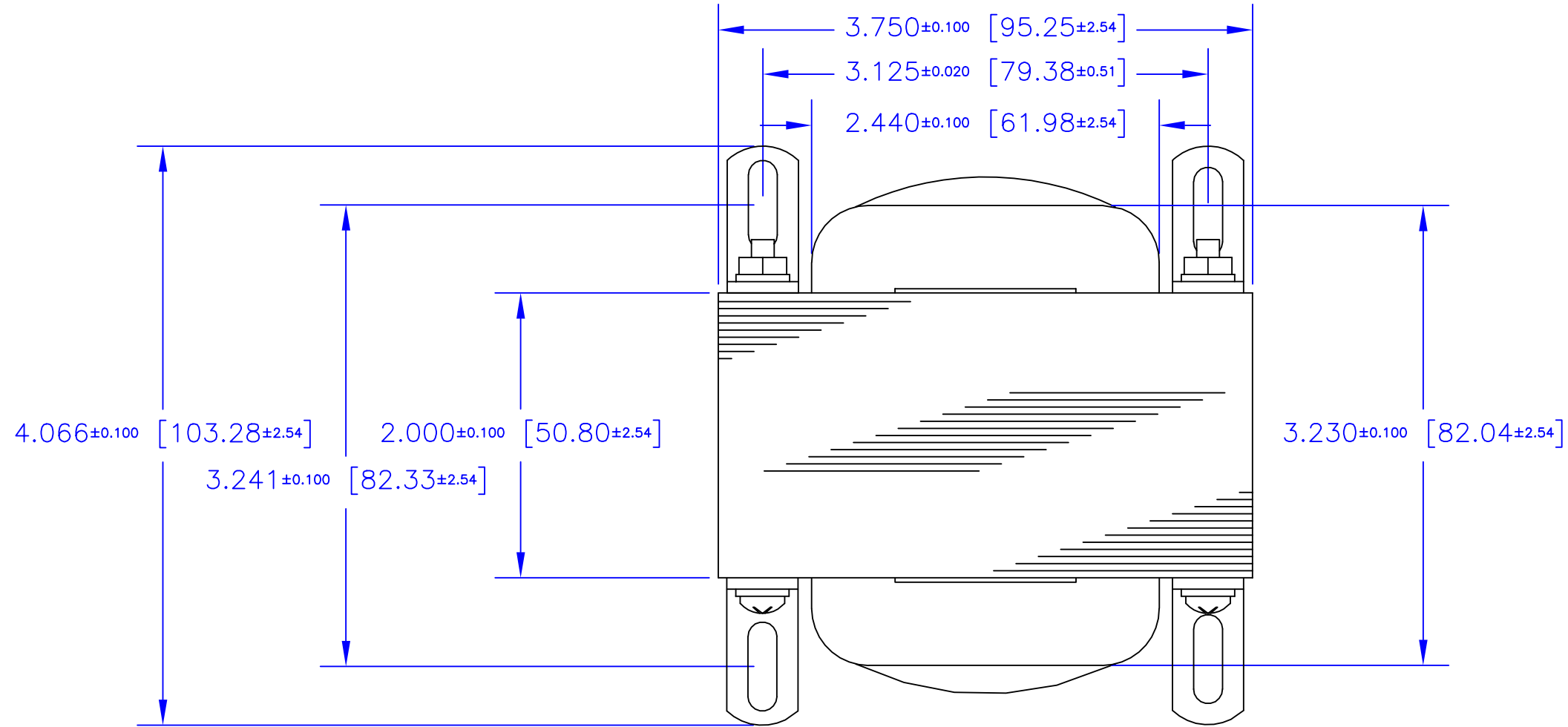


REVISIONS				
ZONE	REV	DESCRIPTION	DATE	APPROVED
D-3 C-3	A	Changed mounted bracket foot print from 0.781" to 1.032".	7/2003	B. Weston



****NOTES: UNLESS OTHERWISE SPECIFIED!**
 1. ALL MATERIAL IS UL LISTED.
 2. BOBBIN IS AN EDCOR QUALITY SERIES.

DIMENSIONS ARE IN INCHES [MILLIMETERS]. X.XXX = ±0.010 X.XX = ±0.03 ANGLES = ±0.05 UNLESS OTHERWISE SPECIFIED		EDCOR Electronics 7130 National Parks Highway, Carlsbad, NM 88220 Voice: (505)887-6790 Fax: (505)887-6880 www.edcorusa.com		
DRAWING BY Brian Weston	Date 7/2003	DWG NO. 15000-EI125-200-02		REV A
CHECKED BY Brian Weston	Date 7/2003	SIZE C	FSCM NO.	
APPROVED BY Larry Weston	Date 7/2003	SCALE: 1:1	©2003 EDCOR Electronics	SHEET: 1 of 1