

4

3

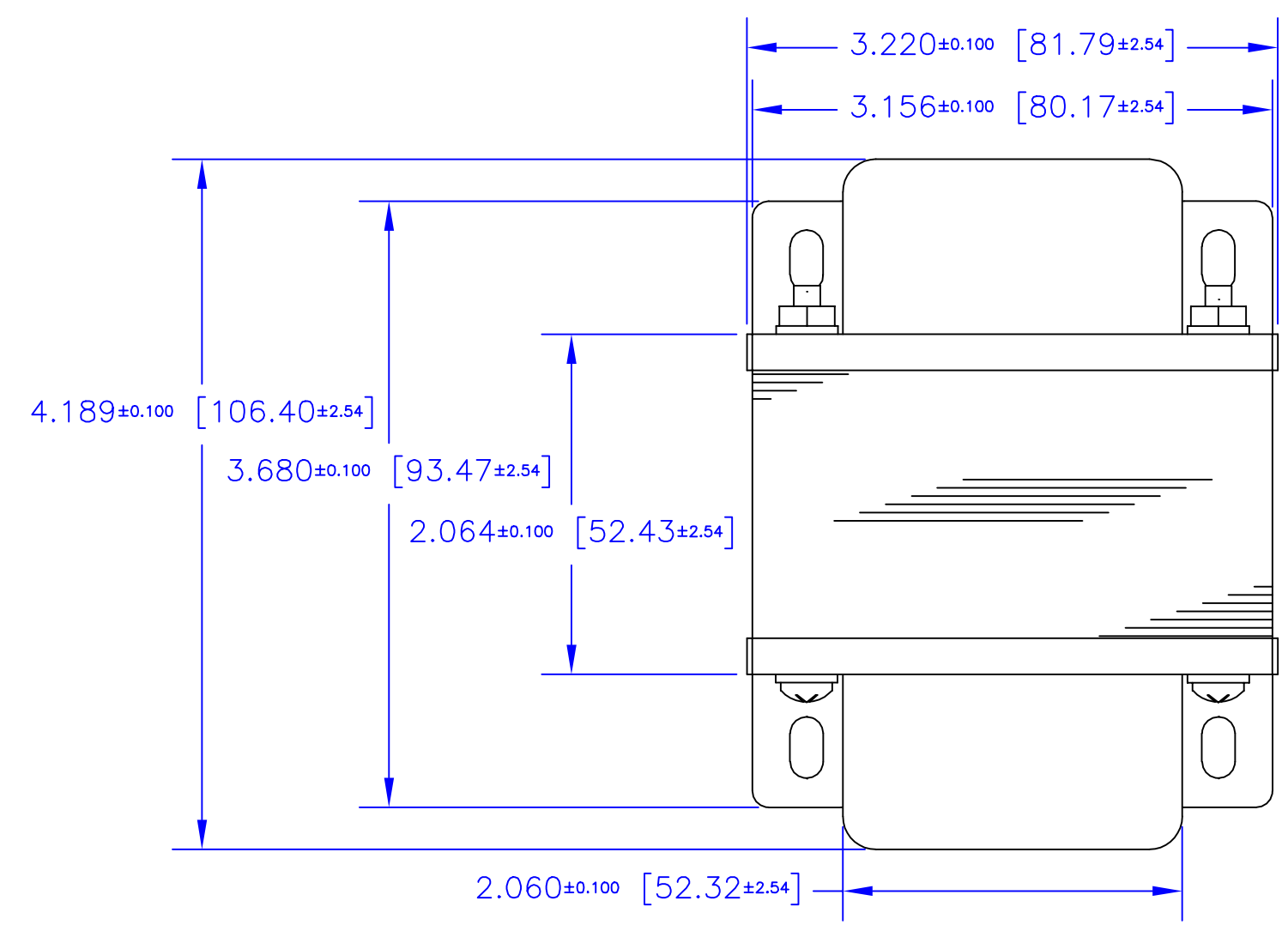
2

1

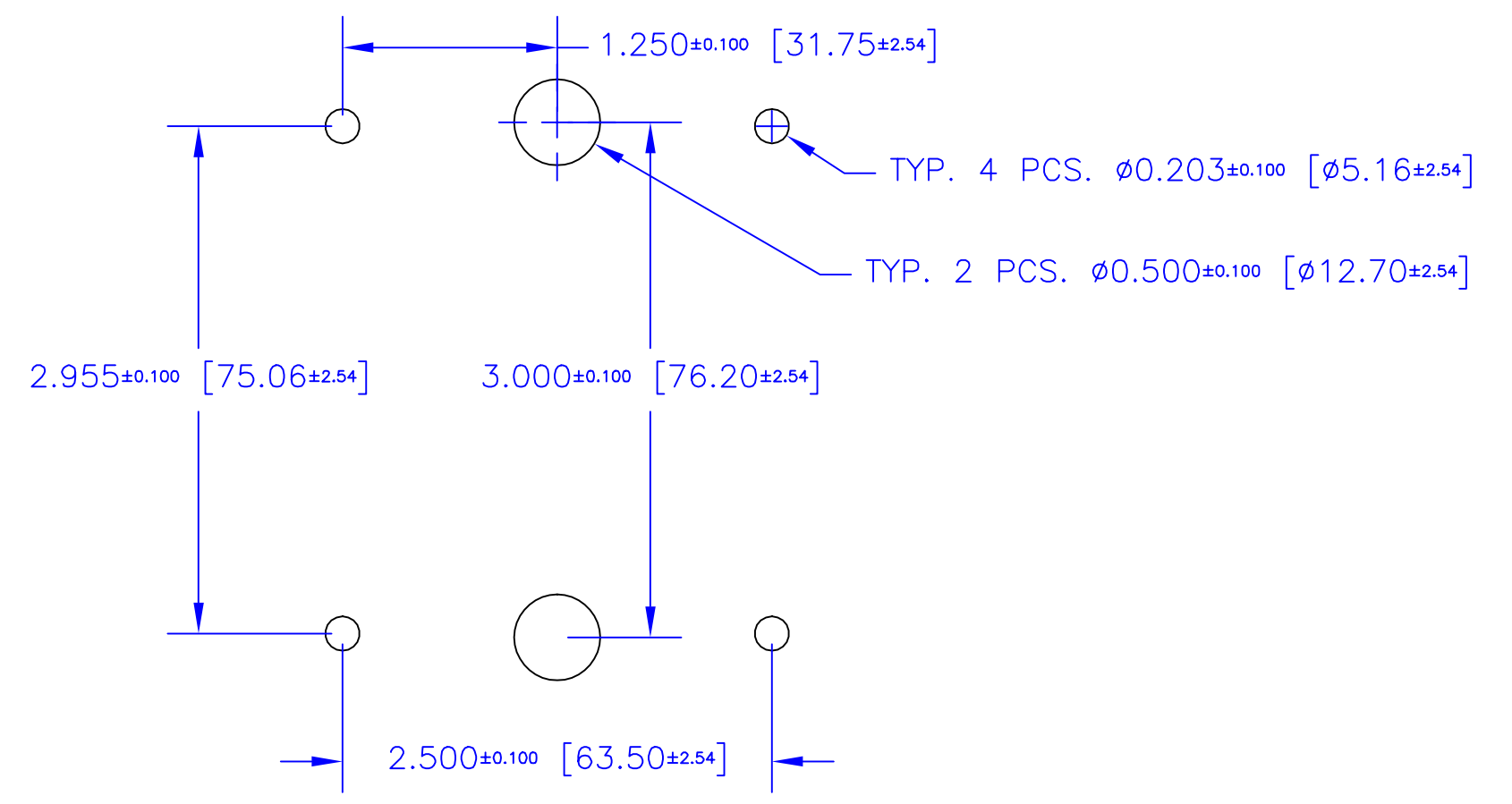
REVISIONS				
ZONE	REV	DESCRIPTION	DATE	APPROVED

D

D



### SUGGESTED MOUNTING HOLES



C

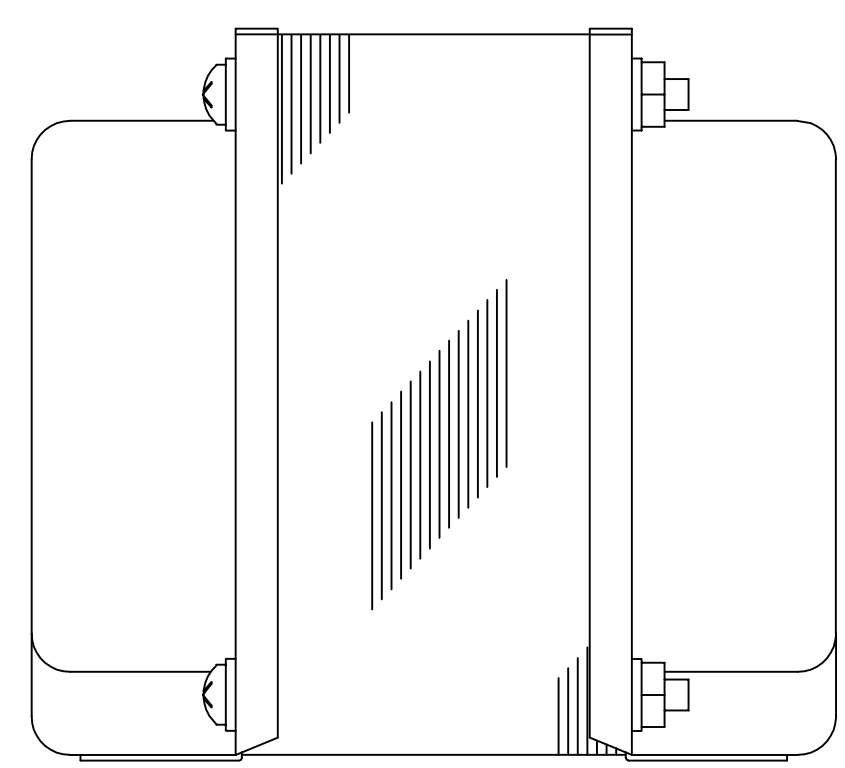
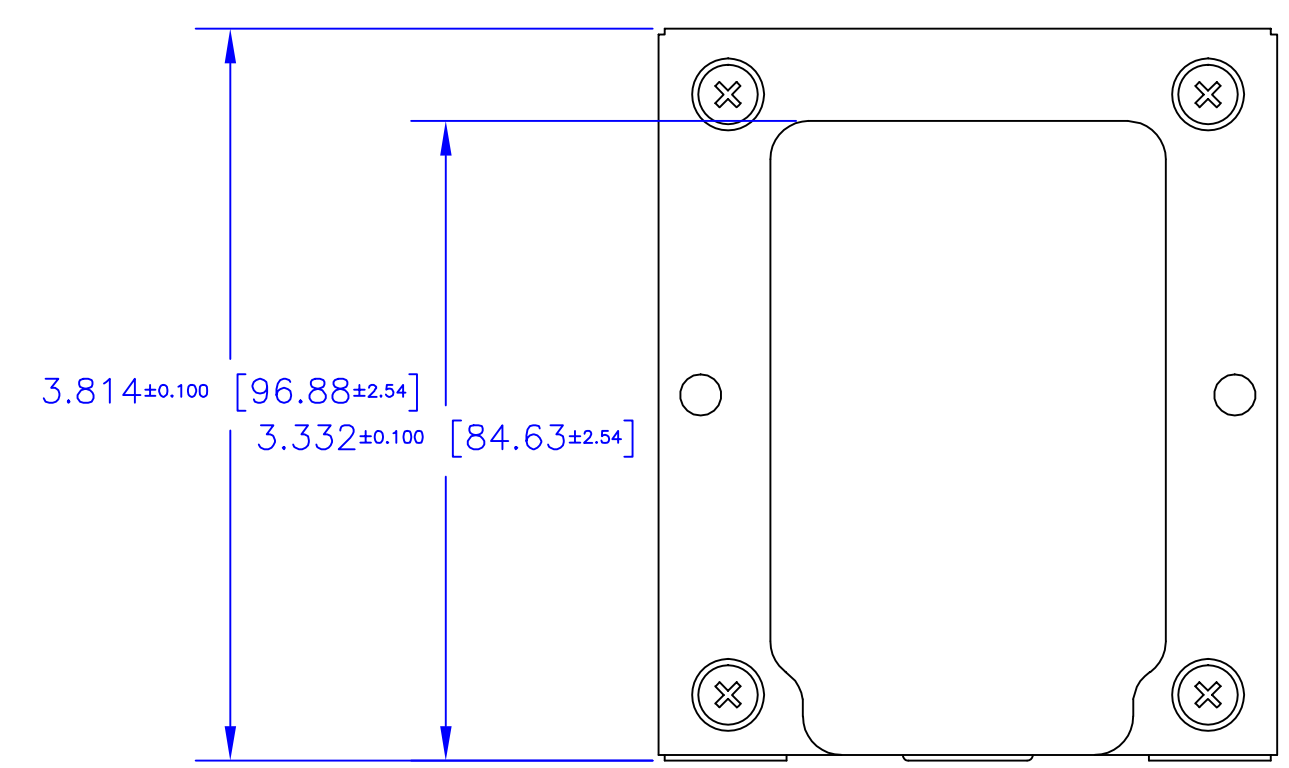
C

→

←

B

B



**\*\*NOTES: UNLESS OTHERWISE SPECIFIED!**  
 1. ALL MATERIAL IS UL LISTED.  
 2. BOBBIN IS AN EDCOR QUALITY SERIES.

A

A

DIMENSIONS ARE IN INCHES [MILLIMETERS]. X.XXX = ±0.010 X.XX = ±0.03 ANGLES = ±0.05 UNLESS OTHERWISE SPECIFIED		<b>EDCOR Electronics</b> 7130 National Parks Highway, Carlsbad, NM 88220 Voice: (505)887-6790 Fax: (505)887-6880 <a href="http://www.edcorusa.com">www.edcorusa.com</a>		
DRAWING BY <b>Brian Weston</b>	Date <b>8/2005</b>	SIZE <b>C</b>		FSCM NO. <b>15000-EI125-200-0X</b>
CHECKED BY <b>Brian Weston</b>	Date <b>8/2005</b>	DWG NO. <b>15000-EI125-200-0X</b>		REV <b> </b>
APPROVED BY <b>Larry Weston</b>	Date <b>8/2005</b>	SCALE: 1:1	©2005 EDCOR Electronics	SHEET: 1 of 1

4

3

2

1

↑