

4

3

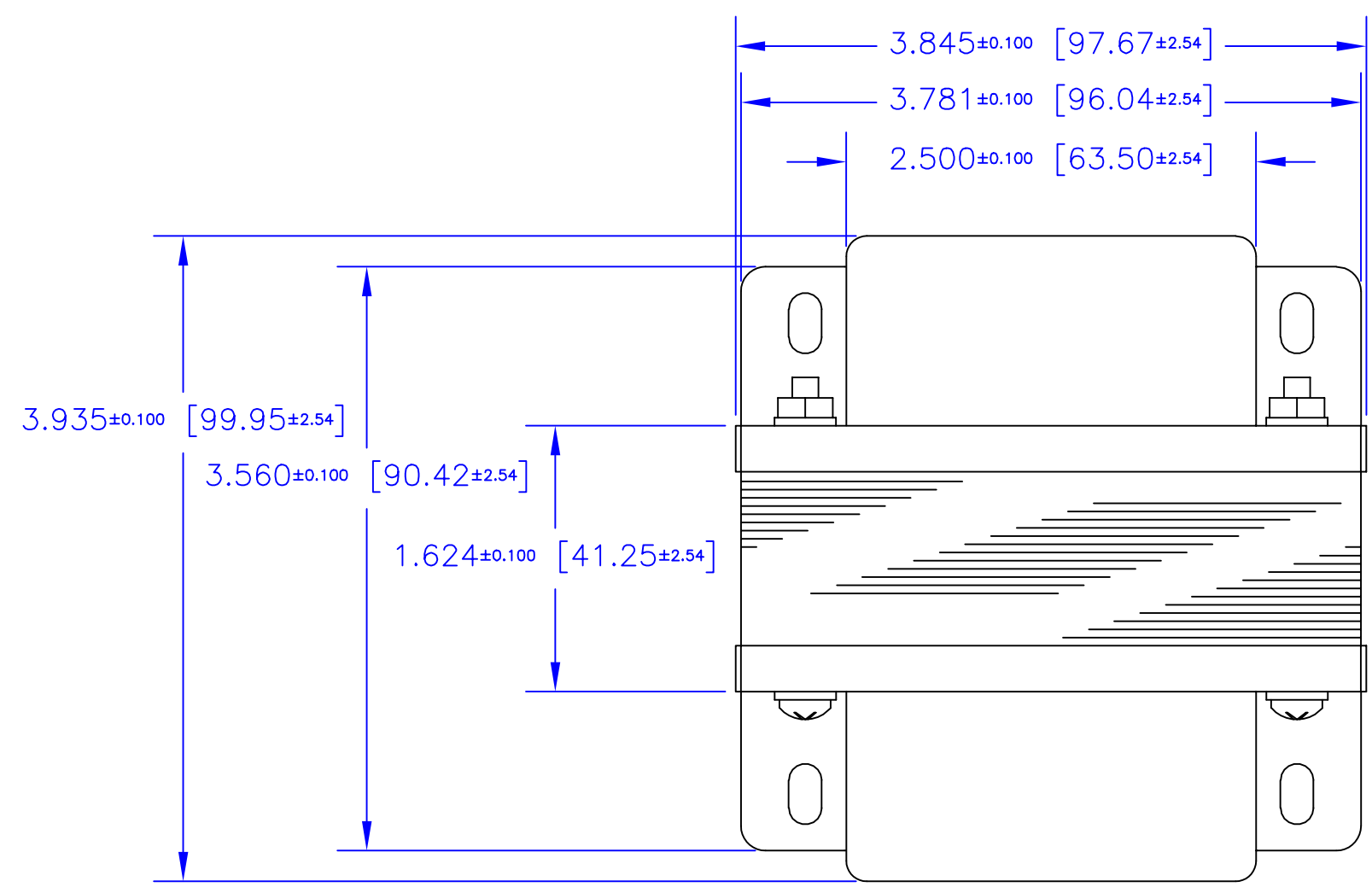
2

1

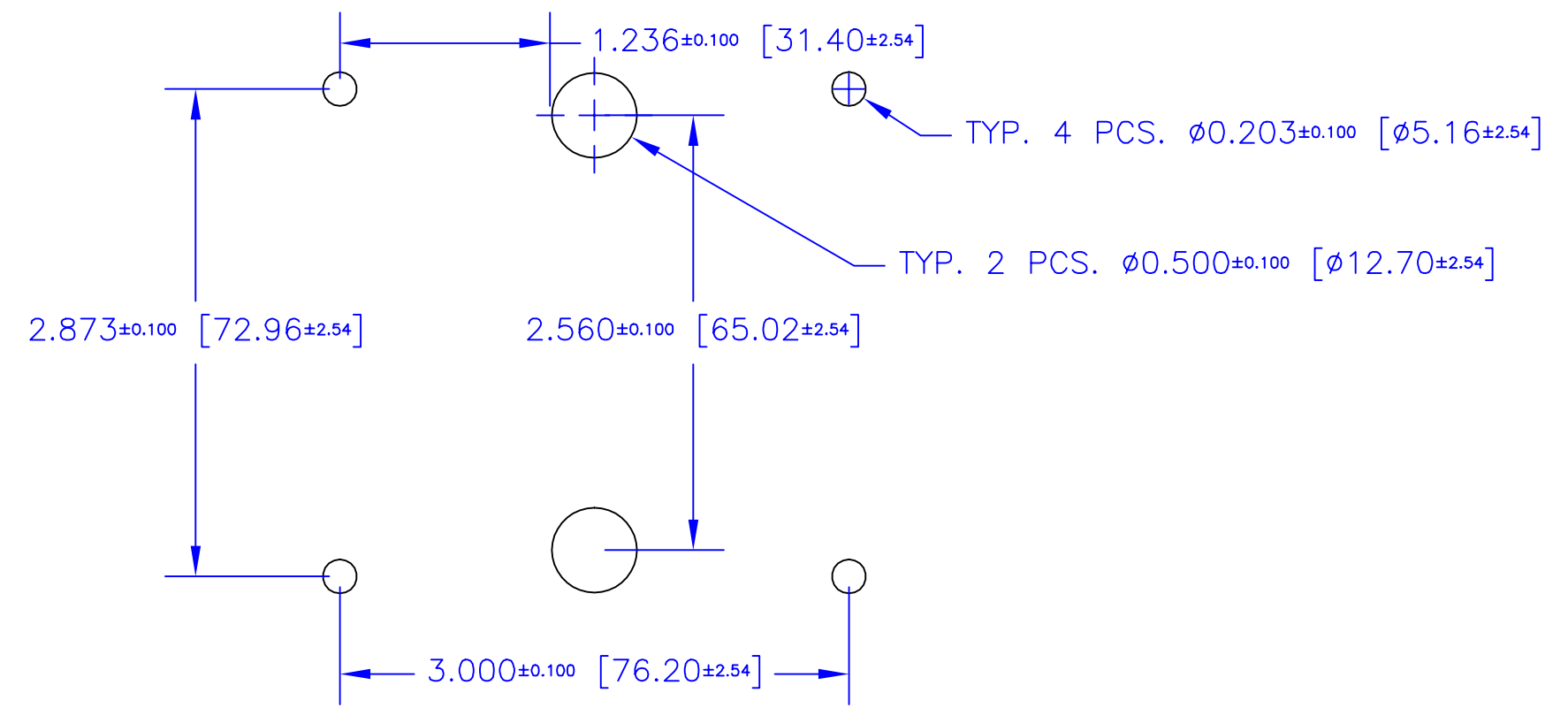
REVISIONS				
ZONE	REV	DESCRIPTION	DATE	APPROVED

D

D



SUGGESTED MOUNTING HOLES



C

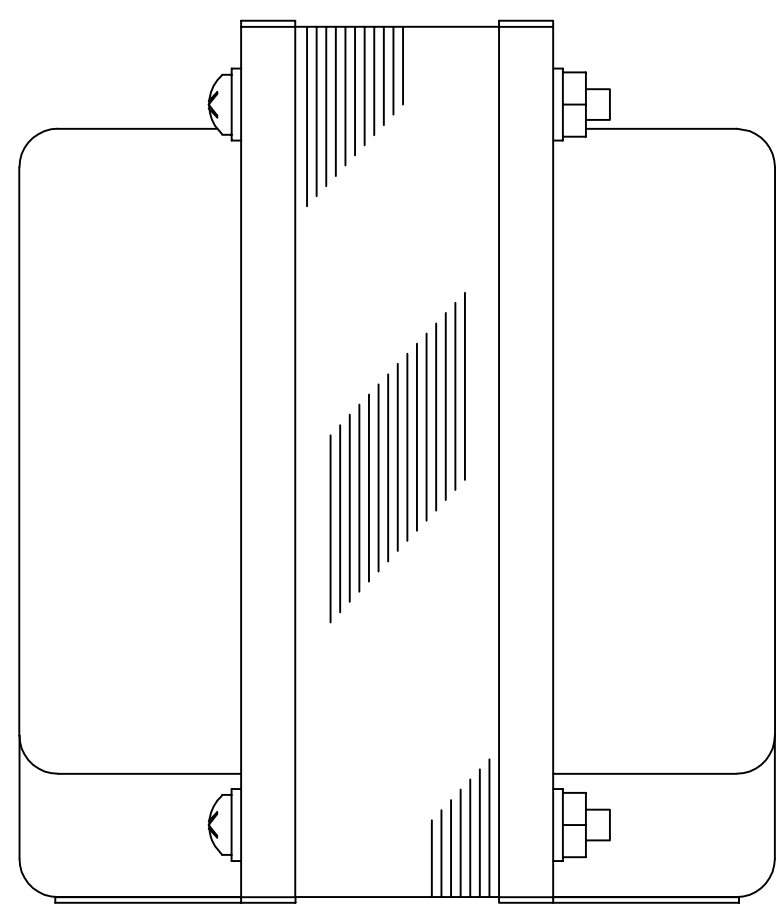
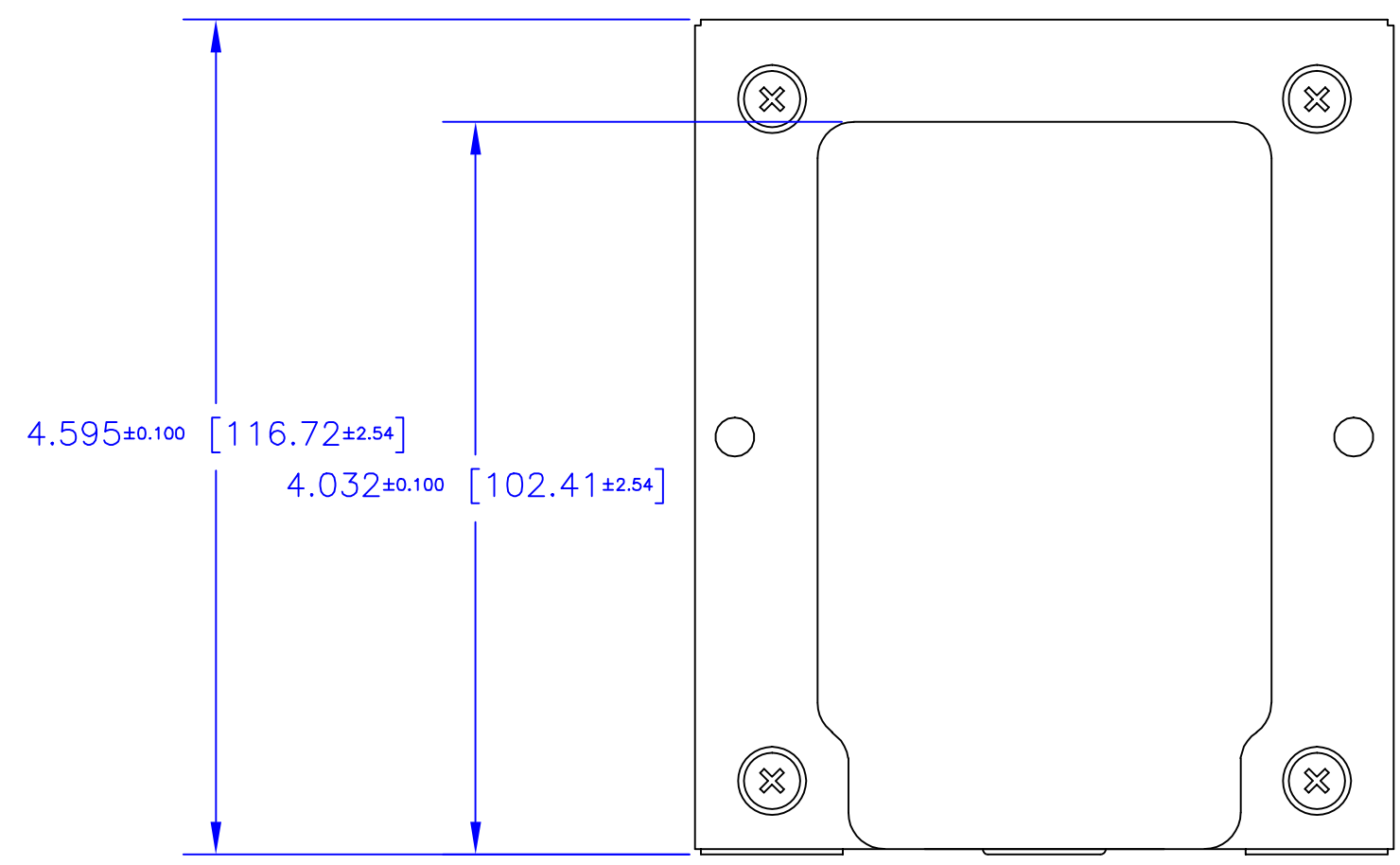
C

→

←

B

B



****NOTES: UNLESS OTHERWISE SPECIFIED!**
 1. ALL MATERIAL IS UL LISTED.
 2. BOBBIN IS AN EDCOR QUALITY SERIES.

A

A

DIMENSIONS ARE IN INCHES [MILLIMETERS]. X.XXX = ±0.010 X.XX = ±0.03 ANGLES = ±0.05 UNLESS OTHERWISE SPECIFIED		EDCOR Electronics 7130 National Parks Highway, Carlsbad, NM 88220 Voice: (505)887-6790 Fax: (505)887-6880 www.edcorusa.com		
DRAWING BY Brian Weston	Date 8/2005	SIZE C	FSCM NO.	DWG NO. 15000-EI150-150-0X
CHECKED BY Brian Weston	Date 8/2005	SCALE: 1:1	©2005 EDCOR Electronics	SHEET: 1 of 1
APPROVED BY Larry Weston	Date 8/2005	REV		

4

3

2

1

↑