

4

3

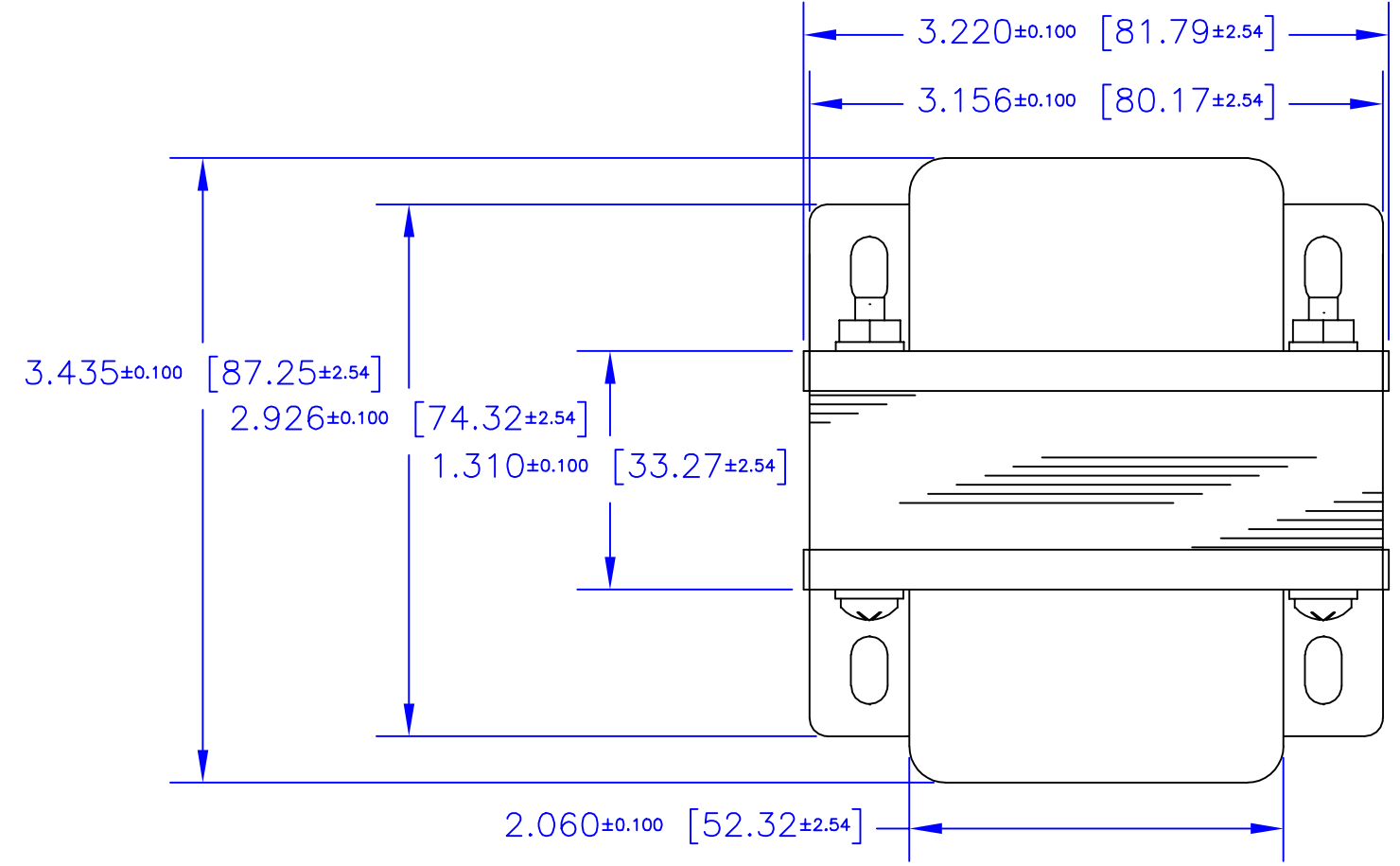
2

1

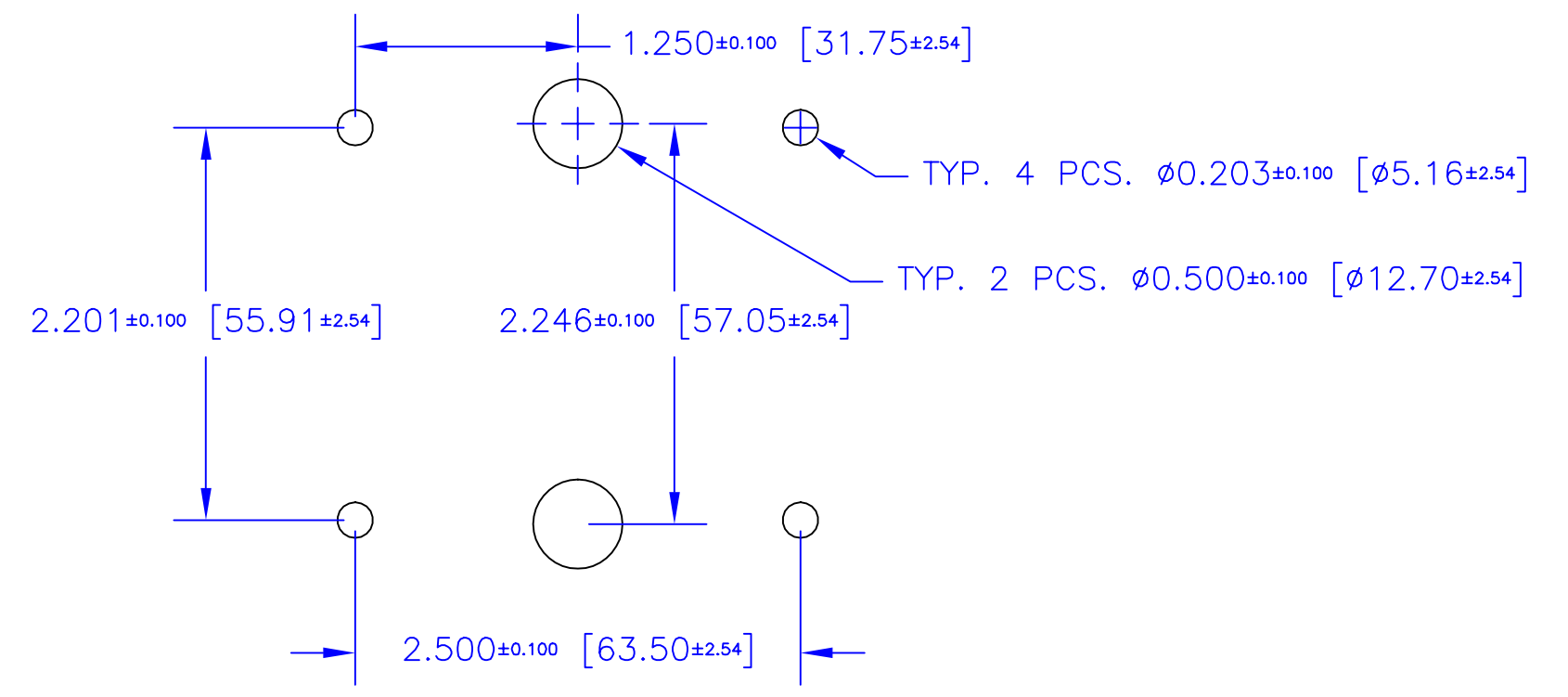
REVISIONS				
ZONE	REV	DESCRIPTION	DATE	APPROVED

D

D



SUGGESTED MOUNTING HOLES

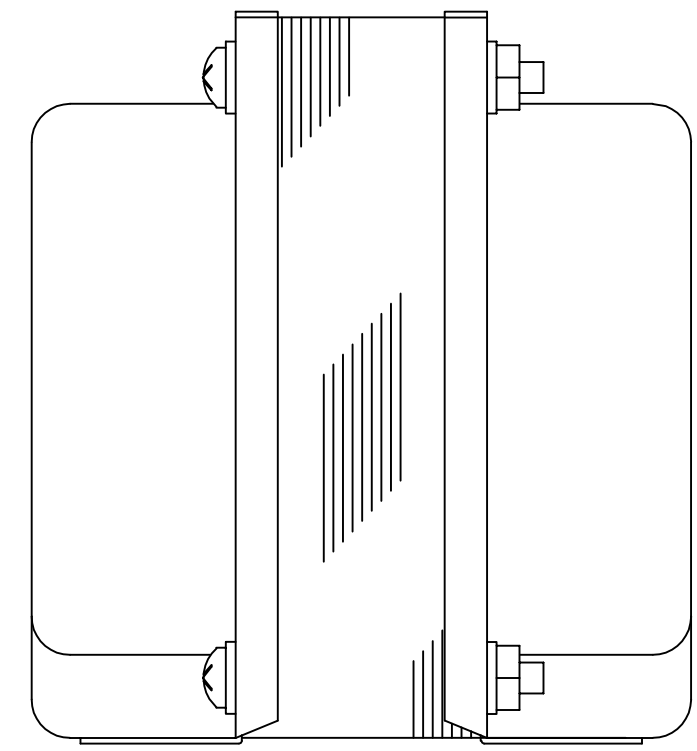
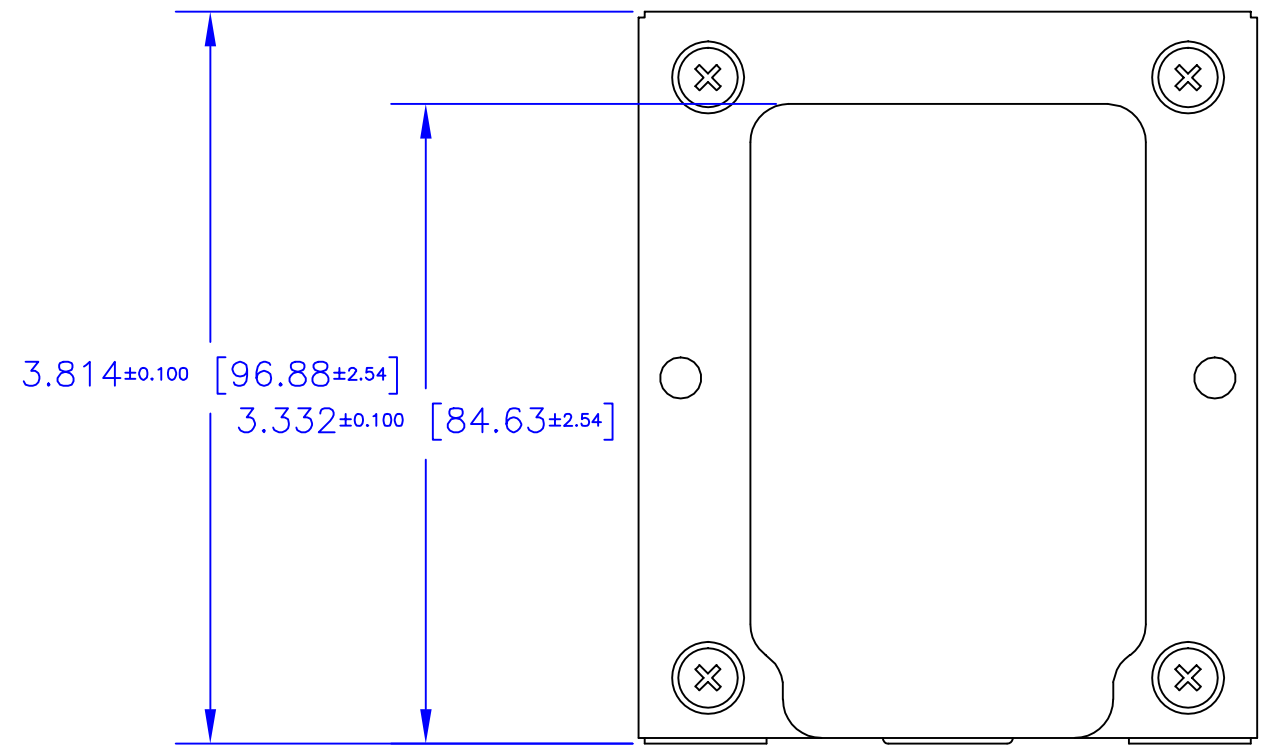


C

C

B

B



****NOTES: UNLESS OTHERWISE SPECIFIED!**
 1. ALL MATERIAL IS UL LISTED.
 2. BOBBIN IS AN EDCOR QUALITY SERIES.

A

A

DIMENSIONS ARE IN INCHES [MILLIMETERS]. X.XXX = ±0.010 X.XX = ±0.03 ANGLES = ±0.05 UNLESS OTHERWISE SPECIFIED		EDCOR Electronics 7130 National Parks Highway, Carlsbad, NM 88220 Voice: (505)887-6790 Fax: (505)887-6880 www.edcorusa.com		
DRAWING BY Brian Weston		Date 8/2005		SIZE C
CHECKED BY Brian Weston		Date 8/2005		FSCM NO. 15000-EI125-125-0X
APPROVED BY Larry Weston		Date 8/2005		DWG NO. 15000-EI125-125-0X
SCALE: 1:1		©2005 EDCOR Electronics		SHEET: 1 of 1

4

3

2

1