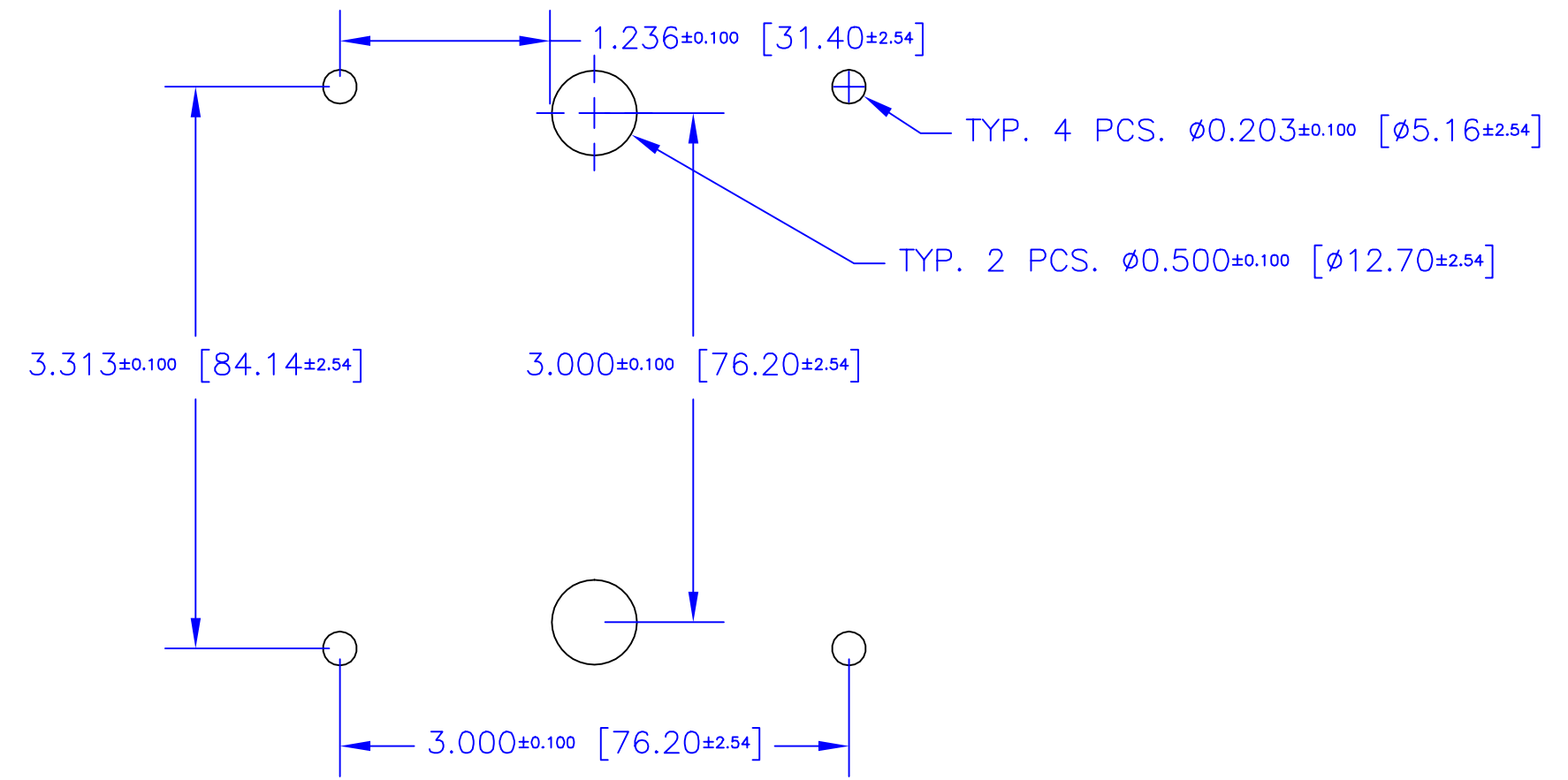


REVISIONS				
ZONE	REV	DESCRIPTION	DATE	APPROVED

SUGGESTED MOUNTING HOLES



****NOTES: UNLESS OTHERWISE SPECIFIED!
 1. ALL MATERIAL IS UL LISTED.
 2. BOBBIN IS AN EDCOR QUALITY SERIES.**

DIMENSIONS ARE IN INCHES [MILLIMETERS]. X.XXX = ±0.010 X.XX = ±0.03 ANGLES = ±0.05 UNLESS OTHERWISE SPECIFIED		EDCOR Electronics 7130 National Parks Highway, Carlsbad, NM 88220 Voice: (505)887-6790 Fax: (505)887-6880 www.edcorusa.com					
DRAWING BY Brian Weston		Date 8/2005		SIZE C	FSCM NO.	DWG NO. 15000-EI150-200-0X	REV
CHECKED BY Brian Weston		Date 8/2005					
APPROVED BY Larry Weston		Date 8/2005					
SCALE: 1:1		©2005 EDCOR Electronics		SHEET: 1 of 1			