

4

3

2

1

REVISIONS				
ZONE	REV	DESCRIPTION	DATE	APPROVED

D

D

C

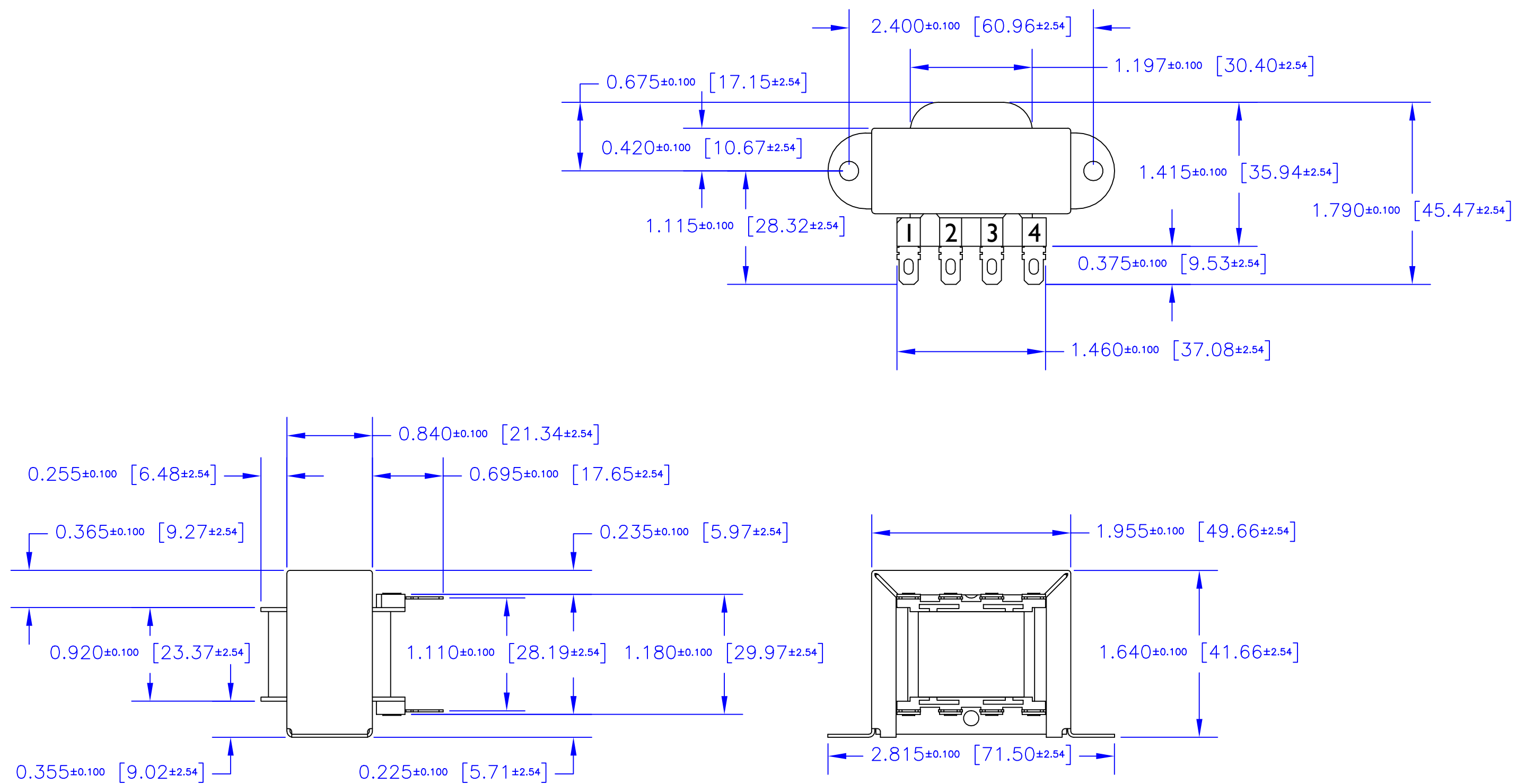
C

B

B

A

A



**\*\*NOTES: UNLESS OTHERWISE SPECIFIED!**  
 1. ALL MATERIAL IS UL LISTED.  
 2. BOBBIN IS AN EDCOR QUALITY SERIES.  
 3. TERMINATION IS 0.1875" QUICK DISCONNECT.

DIMENSIONS ARE IN INCHES [MILLIMETERS]. X.XXX = ±0.010 X.XX = ±0.03 ANGLES = ±0.05 UNLESS OTHERWISE SPECIFIED		<b>EDCOR Electronics</b> 7130 National Parks Highway, Carlsbad, NM 88220 Voice: (505)887-6790 Fax: (505)887-6880 <a href="http://www.edcorusa.com">www.edcorusa.com</a>		
DRAWING BY <b>Brian Weston</b>		Date <b>1/2003</b>		SIZE <b>C</b>
CHECKED BY <b>Brian Weston</b>		Date <b>1/2003</b>		FSCM NO. <b>15000-EI625-075-18</b>
APPROVED BY <b>Larry Weston</b>		Date <b>1/2003</b>		DWG NO. <b>15000-EI625-075-18</b>
SCALE: 1:1		©2003 EDCOR Electronics		SHEET: 1 of 1

4

3

2

1